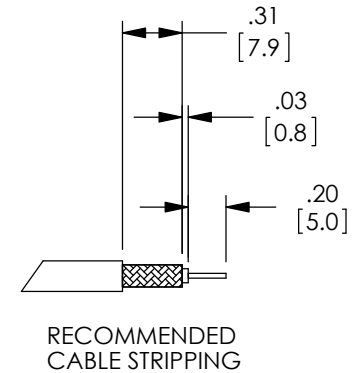
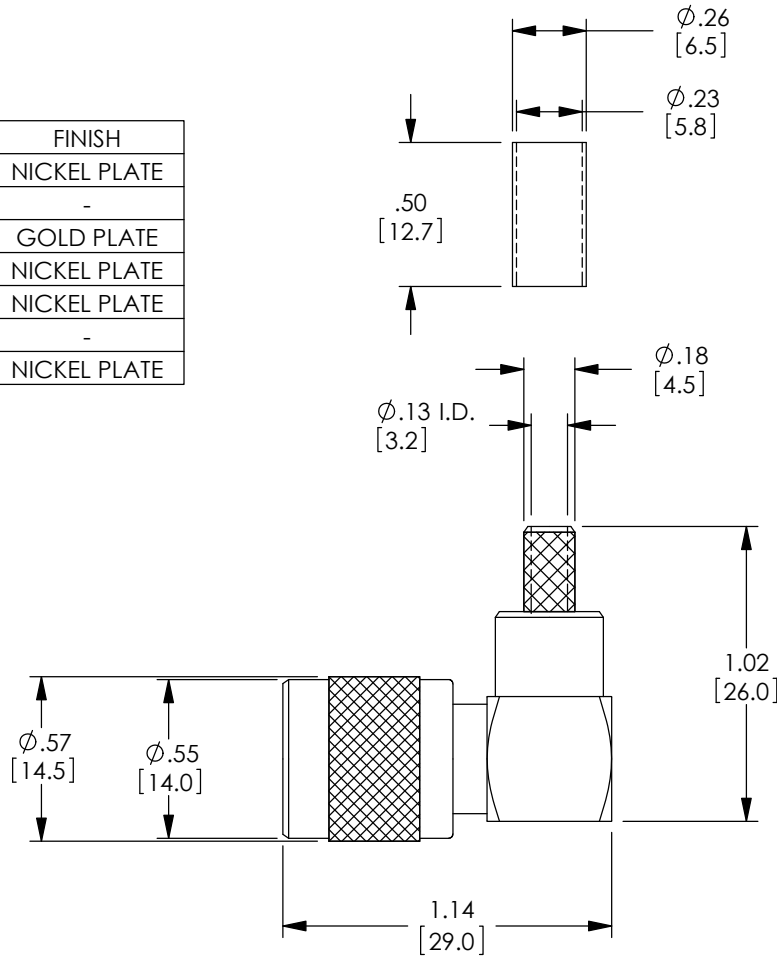


THE INFORMATION CONTAINED IN THIS DRAWING IS THE SOLE PROPERTY OF L-COM, INC. ANY REPRODUCTION IN PART OR WHOLE WITHOUT THE WRITTEN PERMISSION OF L-COM, INC. IS PROHIBITED.

REVISIONS			
REV	DESCRIPTION	DATE	APPROVED
A	INITIAL RELEASE	7/15/09	D.GRIFFIN
B	ECN 7317: REVISED MODEL, TABLE, NOTES, ROHS, FORMAT	2/28/14	D.FRISIELLO

DESCRIPTION	MATERIAL	FINISH
BODY	BRASS	NICKEL PLATE
DIELECTRIC	PTFE	-
CENTER PIN	BRASS	GOLD PLATE
SHELL	BRASS	NICKEL PLATE
RETAINING RING	BRASS	NICKEL PLATE
GASKET	RUBBER	-
FERRULE	BRASS	NICKEL PLATE



**NOTES:**

APPLICATIONS: RG223/U  
 IMPEDANCE: 50 OHMS  
 MATING CYCLES: 500 MIN.  
 RECOMMENDED HEX CRIMP TOOLING SIZE: .213" [5.41]

ALL DIMENSIONS ARE FOR REFERENCE ONLY.

COMPONENTS ARE INDIVIDUALLY PACKAGED IN ACCORDANCE WITH L-COM SPECIFICATION PS-0031.

**REGULATORY COMPLIANCE:**  
 CE2011/65/EU (RoHS DIRECTIVE)

UNLESS OTHERWISE SPECIFIED, DIMENSIONS ARE IN INCHES [mm] OVERALL CABLE LENGTH TOLERANCE: ≤12 [305] = +1 [25] / -0 >12 [305] ≤60 [1524] = +2 [51] / -0 >60 [1524] ≤120 [3048] = +4 [102] / -0 >120 [3048] ≤300 [7620] = +6 [152] / -0 >300 [7620] = +5% / -0% ALL OTHER DIMENSIONAL TOLERANCES: .X = ±.2 [5.08] .XX = ±.02 [5.1] .XXX = ±.005 [1.3]	APPROVALS	DATE		45 BEECHWOOD DRIVE NORTH ANDOVER, MA 01845
	DRAWN BY D.FRISIELLO	7/9/09		
PROJECTION 	CHECKED BY D.CASTRO	7/9/09	PRODUCT DESCRIPTION TNC RA MALE FOR RG223/U	
	APPROVED BY K.BURGNER	7/9/09	SIZE <b>A</b> FSCM NO. <b>43321</b> DWG. NO. <b>BAC534</b> REV. <b>B</b>	
	COLOR VARIATIONS MAY OCCUR		SCALE: NONE	CAD FILE: BAC534.SLDDRW
				SHEET 1 OF 1