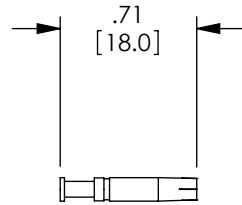
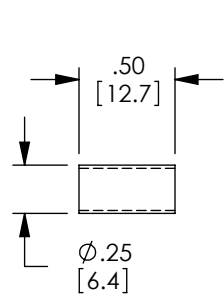
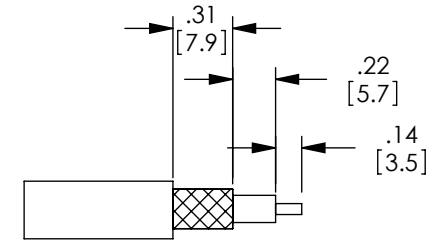
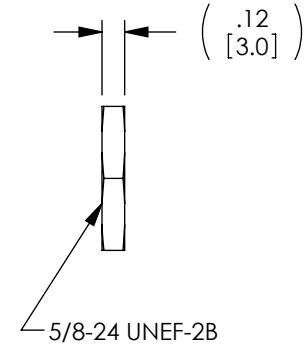
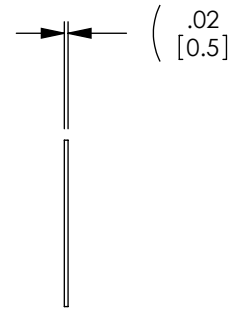
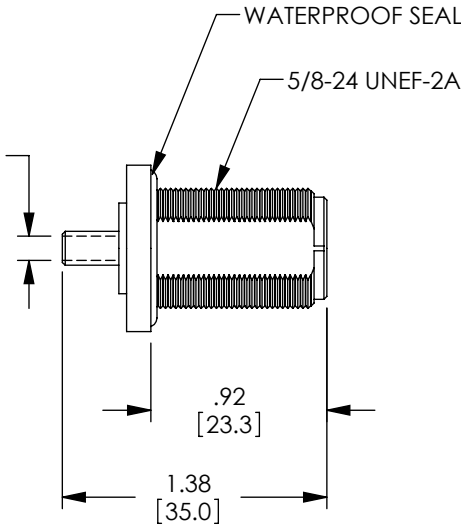


THE INFORMATION CONTAINED IN THIS DRAWING IS THE SOLE PROPERTY OF L-COM, INC. ANY REPRODUCTION IN PART OR WHOLE WITHOUT THE WRITTEN PERMISSION OF L-COM, INC. IS PROHIBITED.

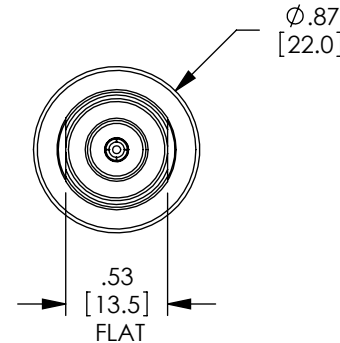
REVISIONS			
REV	DESCRIPTION	DATE	APPROVED
A	CN RELEASE	9/10/09	D.GRIFFIN



Ø.13  
[3.2]  
I.D.



RECOMMENDED  
CABLE STRIPPING



NOTES:

**MATERIALS:**  
CONNECTOR BODY, CENTER PIN, FERRULE, LOCK WASHER, AND NUT: BRASS  
DIELECTRIC: PTFE  
WATERPROOF SEAL: RUBBER

**FINISH:**  
CONNECTOR BODY, FERRULE, LOCK WASHER, AND NUT: 100µ INCHES NICKEL PLATE, MIN.  
CENTER PIN: 3-5µ INCHES GOLD PLATE, MIN.

**MISCELLANEOUS:**  
FOR CABLE APPLICATION: RG55, RG141, RG142, RG223, RG400.  
IMPEDANCE: 50 OHMS  
ALL DIMENSIONS ARE FOR REFERENCE ONLY.  
COMPONENTS SHALL BE INDIVIDUALLY PACKAGED IN ACCORDANCE WITH L-COM SPECIFICATION PS-0031.

UNLESS OTHERWISE SPECIFIED, DIMENSIONS ARE IN INCHES [mm]  DIMENSIONAL TOLERANCES: .X = ±.1 .XX = ±.01 .XXX = ±.005  ANGULAR TOLERANCES: ALL = ± 1°	APPROVALS	DATE		45 BEECHWOOD DRIVE NORTH ANDOVER, MA 01845	
	DRAWN BY D.FRISIELLO	9/3/09			
	CHECKED BY D.CASTRO	9/3/09	CATEGORY COAXIAL		
	APPROVED BY K.BURGNER	9/3/09	PRODUCT DESCRIPTION TYPE N F BHD CRIMP, RG55,141,142,223		
PROJECTION 	COLOR VARIATIONS MAY OCCUR	SIZE <b>A</b>	FSCM NO. <b>43321</b>	DWG. NO. <b>BAC542</b>	REV. <b>A</b>
		SCALE: NONE	CAD FILE: BAC542.SLDDRW		SHEET 1 OF 1