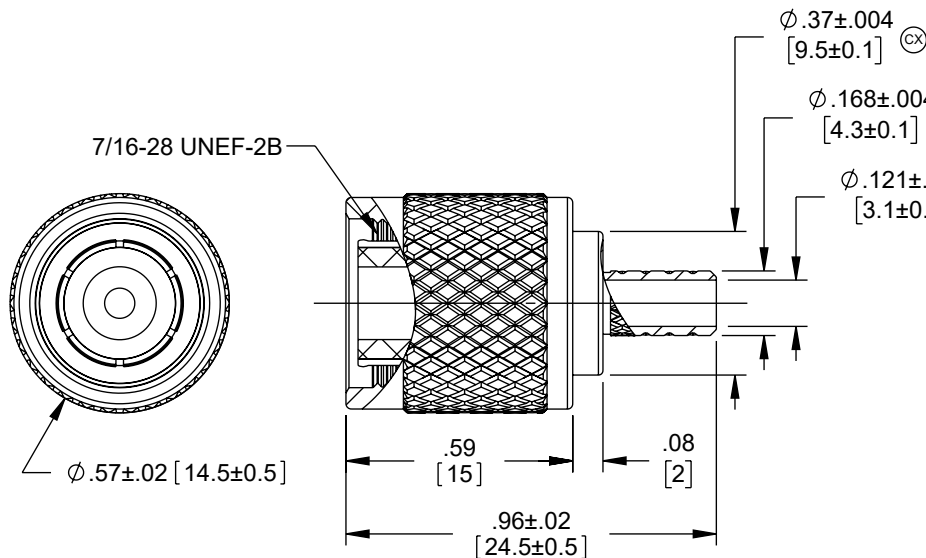
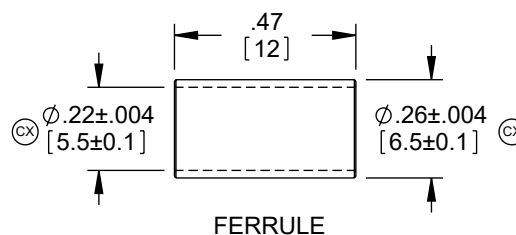
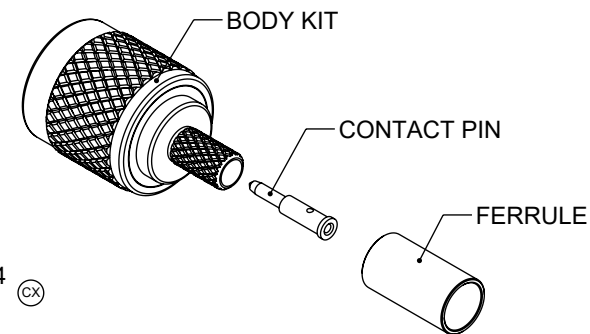


REVISION					
ZONE	REV	DESCRIPTION	DATE	CHANGED BY	APPROVED
	C	ECO-13703	06/13/2024	SREITER	SRAUTUS

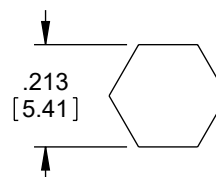


BODY; SNAP RING; O-RING SEALING;
INSULATOR KITS

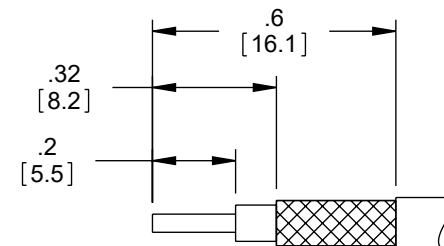
CONTACT PIN



RECOMMENDED HEX TOOLING
CRIMP DIMENSION



RECOMMENDED CABLE
STRIP DIMENSIONS



NOTES:

- MATERIAL:
BODY, FERRULE: BRASS; NICKEL PLATED
CENTER PIN: BRASS, 1~3 μin GOLD OVER NICKEL PLATED
SNAP RING: 65 Mn
INSULATOR: PTFE; COLOR: WHITE
O-RING SEALING: SILASTIC
- ELECTRICAL:
IMPEDANCE: 50 Ω
VSWR: 1.5 MAX @ DC ~4 GHz
CONTACT RESISTANCE: 2.5 mΩ MAX (CENTER PIN)
INSULATION RESISTANCE: 5000 MΩ MIN
DIELECTRIC WITHSTANDING VOLTAGE: 1500 V r.m.s
- MECHANICAL:
DURABILITY: 500 CYCLES MIN
CENTER CONTACT RETENTION AXIAL FORCE: 90 N MIN
- (CX) REPRESENTS CRITICAL DIMENSION.
- INTERFACE DIMENSION AND PERFORMANCE REQUIRED
IAW MIL-STD-348 & MIL-PRF-39012E.

REGULATORY COMPLIANCE:
RoHS DIRECTIVE (MOST RECENT RELEASED VERSION).

THE INFORMATION CONTAINED IN THIS DRAWING IS THE SOLE PROPERTY OF INFINITE ELECTRONICS, INC. ANY REPRODUCTION IN PART OR WHOLE WITHOUT THE WRITTEN PERMISSION OF INFINITE ELECTRONICS, INC. IS PROHIBITED. THESE COMMODITIES, TECHNOLOGY OR SOFTWARE WERE EXPORTED FROM THE UNITED STATES IN ACCORDANCE WITH THE EXPORT ADMINISTRATION REGULATIONS. DIVERSION CONTRARY TO U.S. LAW PROHIBITED.

UNLESS OTHERWISE SPECIFIED LEADING DIMENSIONS ARE INCHES DIMENSIONS IN [] ARE MILLIMETERS	
TOLERANCES:	
X = ±.2 [5]	FRACTIONS
.XX = ±.02 [0.5]	± 1/32
.XXX = ±.005 [0.13]	ANGLES ± 1°
CABLE LENGTH TOLERANCES:	
≤12 [305] = +1 [25] / -0	
>12 [305] ≤ 60 [1524] = +2 [51] / -0	
>60 [1524] ≤ 120 [3048] = +4 [102] / -0	
>120 [3048] ≤ 300 [7620] = +6 [152] / -0	
>300 [7620] = +5% / -0	
ALL DIMENSIONS ARE FOR REFERENCE ONLY AND SUBJECT TO CHANGE WITHOUT NOTICE. UN-DIMENSIONED NON-CRITICAL FEATURES MAY VARY IN SIZE AND LOCATION COLORS MAY VARY	

L-com
an INFINIT® brand

Website: www.L-com.com
Phone: 1.800.341.5266 | 1.978.682.6936

INTERPRET ALL DIMENSIONS AND TOLERANCES PER ASME Y14.5	
SCALE	SHEET
NONE	1 OF 1

DESCRIPTION				
TNC STRAIGHT MALE CRIMP FOR RG-223/U				
SIZE	CAGE CODE	DRAWN BY	ITEM NO.	REV
A	43321	Bill_Zhang	BAC545	C