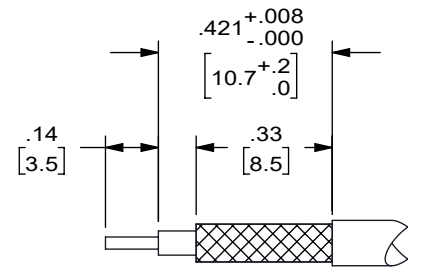
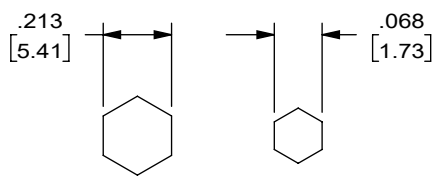
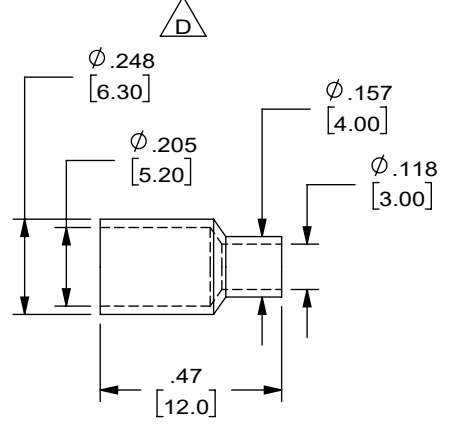
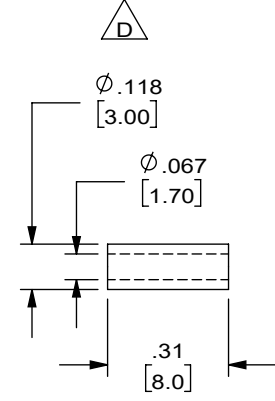
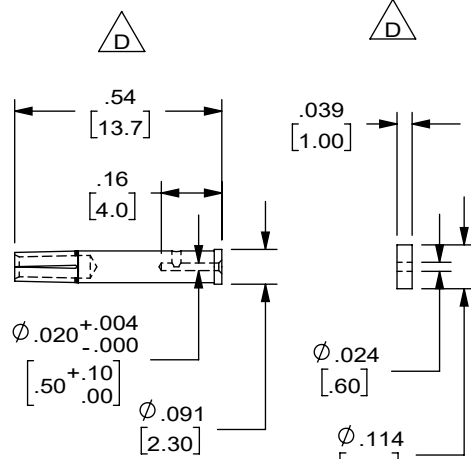
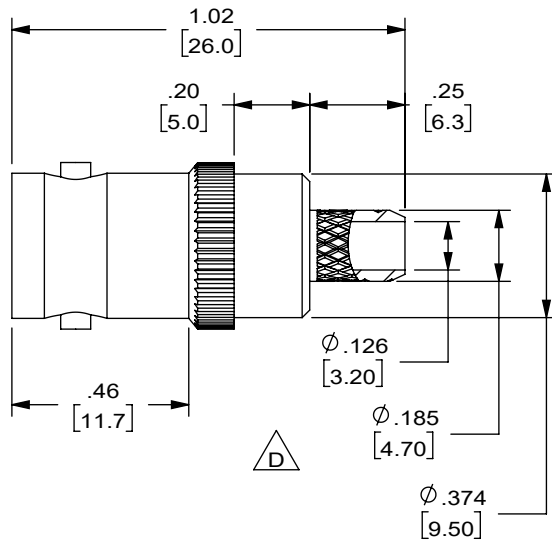


THE INFORMATION CONTAINED IN THIS DRAWING IS THE SOLE PROPERTY OF L-COM, INC. ANY REPRODUCTION IN PART OR WHOLE WITHOUT THE WRITTEN PERMISSION OF L-COM, INC. IS PROHIBITED.

REVISIONS			
REV	DESCRIPTION	DATE	APPROVED
A	CN RELEASE	1/26/10	D.GRIFFIN
B	ECN 9071: UPDATE DIM'S AND NOTES	02/10/18	S.LI
C	ECN 10652: UPT DIM'S AND NOTES	08/20/2020	MBLACKWOOD
D	ECN 11308: UPT DIM'S AND NOTES	08/26/2021	S.RAUTUS

DESCRIPTION	MATERIAL	FINISH
BODY	BRASS	NICKEL
INSULATOR	PTFE	-
SLEEVE	BRASS	NICKEL
FERRULE	BRASS	NICKEL
CONTACT PIN	PHOSPHOR BRONZE	GOLD



RECOMMENDED FERRULE & PIN CRIMP SIZE

RECOMMENDED CABLE STRIPPING

**NOTES:**

**ELECTRICAL:**

IMPEDANCE: 75 OHMS  
 FREQUENCY RANGE: DC~4GHz  
 CONTACT RESISTANCE: CENTER PIN IS LESS THAN 1 mOHMS AND OUTER CONTACT IS LESS THAN 3 mOHM.  
 INSULATION RESISTANCE: 5000 MOHMS.  
 VOLTAGE WITHSTAND: 1500 V  
 OPERATING TEMPERATURE: -30~+85°C

**MECHANICAL:**


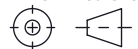
DURABILITY: 500 CYCLES.

**MISCELLANEOUS:**

COMPONENTS SHALL BE INDIVIDUALLY PACKAGED IN ACCORDANCE WITH L-COM SPECIFICATION PS-0031.

**REGULATORY COMPLIANCE:**

EU RoHS DIRECTIVE (MOST RECENT RELEASED VERSION)

UNLESS OTHERWISE SPECIFIED, DIMENSIONS ARE IN INCHES [mm] OVERALL CABLE LENGTH TOLERANCE: ≤12 [305] = +1 [25] / -0 >12 [305] ≤60 [1524] = +2 [51] / -0 >60 [1524] ≤120 [3048] = +4 [102] / -0 >120 [3048] ≤300 [7620] = +6 [152] / -0 >300 [7620] = +5% / -0 ALL OTHER DIMENSIONAL TOLERANCES: .X = ± .2 [5]   FRACTIONS ± 1/32 .XX = ± .02 [.5]   ANGLES ± 1° .XXX = ± .005 [.13]	APPROVALS	DATE	 50 High Street, West Mill, North Andover, MA 01845 USA. Phone: 1.800.341.5266 1.978.682.6936		
	DRAWN BY D. CASTRO	1/26/10		CATEGORY  COAXIAL	
	CHECKED BY D. FRISIELLO	1/26/10			
	APPROVED BY P. MCNEIL	1/26/10			
THIRD-ANGLE PROJECTION	CONFIGURATION DETAILS OF UNDIMENSIONED FEATURES MAY VARY	PRODUCT DESCRIPTION <b>BNC JACK 75 OHM RG179 CRIMP</b>			
	COLOR VARIATIONS MAY OCCUR	SIZE <b>A</b>	CAGE CODE <b>43321</b>	DWG. NO. <b>BAC549</b>	REV. <b>D</b>
REF	SCALE: NONE	CAD FILE: BAC549.SLDDRW	SHEET 1 OF 1		