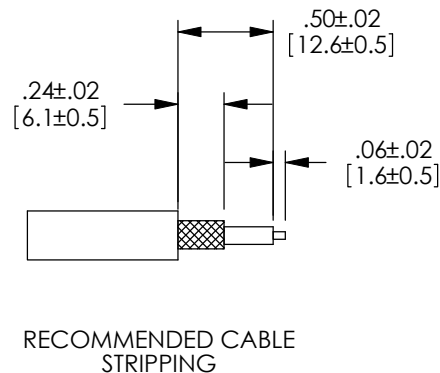
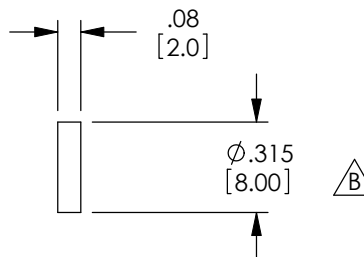
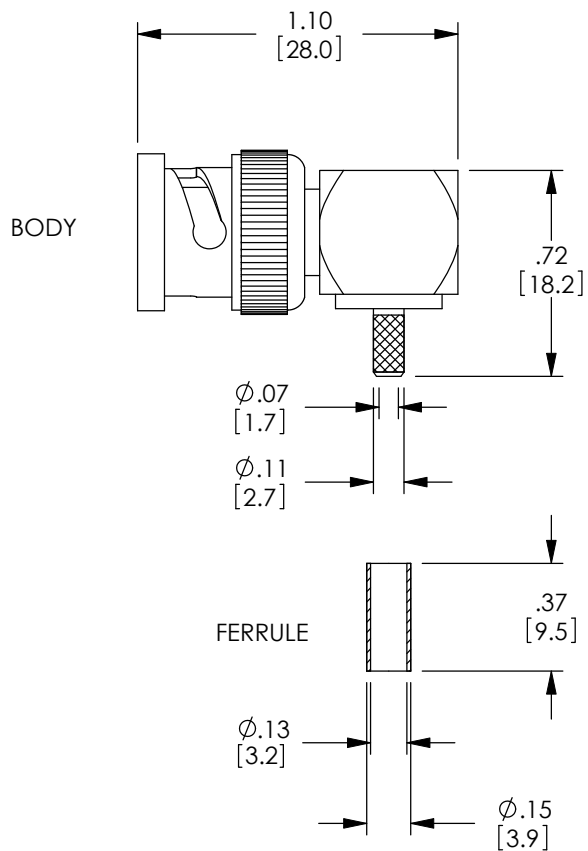


THE INFORMATION CONTAINED IN THIS DRAWING IS THE SOLE PROPERTY OF L-COM, INC. ANY REPRODUCTION IN PART OR WHOLE WITHOUT THE WRITTEN PERMISSION OF L-COM, INC. IS PROHIBITED.

REVISIONS			
REV	DESCRIPTION	DATE	APPROVED
A	INITIAL RELEASE	3/20/09	D.GRIFFIN
B	ECN 6155: REVISED CAP DIA. 8.00mm (.315), NEW FORMAT	5/10/12	D.FRISIELLO



**NOTES:**

IMPEDANCE: 75 OHM  
 APPLICATION: RG179/U  
 RECOMMENDED HEX CRIMP TOOL SIZE: .128 IN [3.25mm]

ALL DIMENSIONS ARE FOR REFERENCE ONLY.

COMPONENT SHALL BE INDIVIDUALLY PACKAGED IN ACCORDANCE WITH L-COM SPECIFICATION PS-0031.

UNLESS OTHERWISE SPECIFIED, DIMENSIONS ARE IN INCHES [mm] OVERALL CABLE LENGTH TOLERANCE: ≤12 [305] = +1 [25] / -0 >12 [305] ≤60 [1524] = +2 [51] / -0 >60 [1524] ≤120 [3048] = +4 [102] / -0 >120 [3048] ≤300 [7620] = +6 [152] / -0 >300 [7620] = +3% / -0%	APPROVALS	DATE		45 BEECHWOOD DRIVE NORTH ANDOVER, MA 01845
	DRAWN BY D.FRISIELLO	3/17/09		CATEGORY <b>COAXIAL</b>
ALL OTHER DIMENSIONAL TOLERANCES: .X = ±.2 .XX = ±.02 .XXX = ±.005	CHECKED BY D.CASTRO	3/18/09	PRODUCT DESCRIPTION <b>BNC, MALE, RIGHT ANGLE, RG179/U</b>	
PROJECTION 	APPROVED BY D.DOLCE	3/18/09	SIZE <b>A</b>	FSCM NO. <b>43321</b>
	CONFIGURATION DETAILS OF UNDIMENSIONED FEATURES MAY VARY		DWG. NO. <b>BAC551</b>	REV. <b>B</b>
	COLOR VARIATIONS MAY OCCUR		SCALE: NONE	CAD FILE: BAC551.SLDDRW
				SHEET 1 OF 1