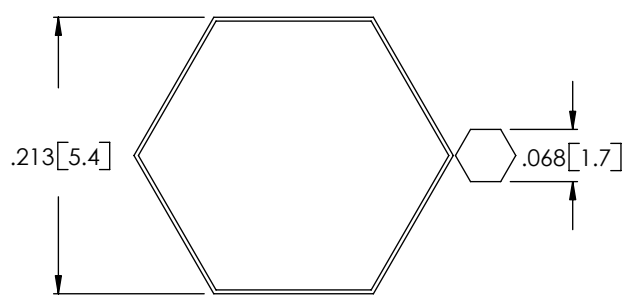
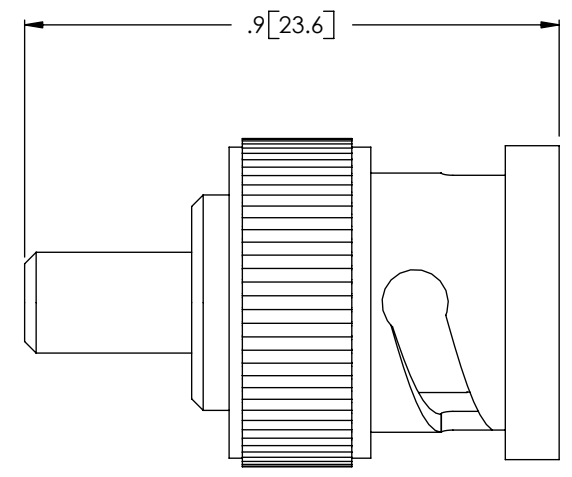
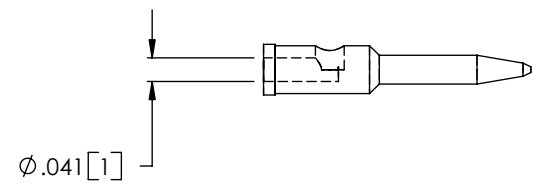
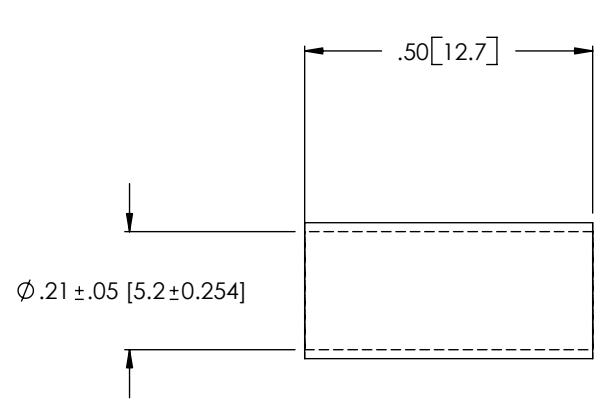
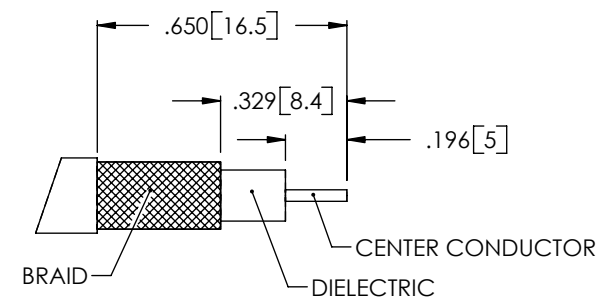


THE INFORMATION CONTAINED IN THIS DRAWING IS THE SOLE PROPERTY OF L-COM, INC. ANY REPRODUCTIONS IN PART OR WHOLE WITHOUT THE WRITTEN PERMISSION OF L-COM, INC. IS PROHIBITED.

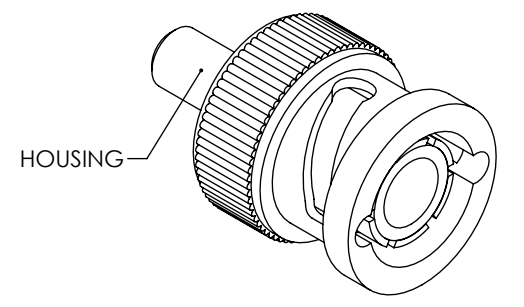
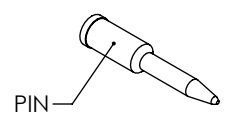
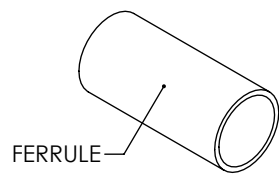
REVISIONS			
REV	DESCRIPTION	DATE	CHANGED BY
E	ECN 3165: UPDATE DWG FORMAT	1/21/08	D.GRIFFIN
F	ECN 3179: CHANGE ELECTRICAL IMPEDANCE FROM 75 TO 50 OHM	1/29/08	D.GRIFFIN



RECOMMENDED FERRULE & PIN CRIMP SIZES



CABLE STRIPPING DIMENSIONS



NOTES:

**MATERIAL:**  
 BODY: BRASS  
 FERRULE: BRASS OR COPPER ALLOY  
 PIN: BRASS  
 INSULATOR: ACETAL

**FINISH:**  
 BODY: NICKEL PLAE  
 FERRULE: NICKEL PLATE  
 PIN: GOLD PLATE

**ELECTRICAL:**  
 IMPEDANCE: 50 OHM

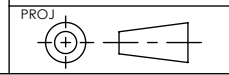
**PACKAGING:**  
 INDIVIDUALLY PACKAGE EACH ASSEMBLY UTILIZING APPROPRIATE SIZED BAG.

**APPLICATION:**  
 RG58 PLENUM CABLE ASSEMBLIES

**RoHS Compliant** ✓

UNLESS OTHERWISE SPECIFIED, DIMENSIONS ARE IN INCHES [mm]  
 TOLERANCES TO BE:  
 .X ± .1 [2.5] ANGLES ± 2°  
 .XX ± .01 [.25]  
 .XXX ± .005 [.13]  
 OVERALL CABLE LENGTH TOL:  
 ≤ 60 [1524] +3 [76.2] / -0  
 > 60 [1524] +5% / -0%

APPROVALS	DATE
DRAWN BY C.MCCORMICK	01/17/2002
CHECKED BY D.PARHAM	01/17/2002
APPROVED BY R.CARRICK	01/17/2002



CONFIGURATION DETAILS OF UNDIMENSIONED FEATURES MAY VARY

<b>L-com</b> CONNECTIVITY PRODUCTS		45 BEECHWOOD DRIVE NORTH ANDOVER, MA 01845	
CATEGORY		COAXIAL	
PRODUCT DESCRIPTION		STRAIGHT BNC PLUG, CRIMP, 50 OHM	
SIZE	FSCM NO.	DWG. NO.	REV.
<b>B</b>	<b>43321</b>	BAC836A-58P	<b>F</b>
SCALE: 1:1		CAD FILE: BAC836A-58P.SLDDRW	SHEET 1 OF 1