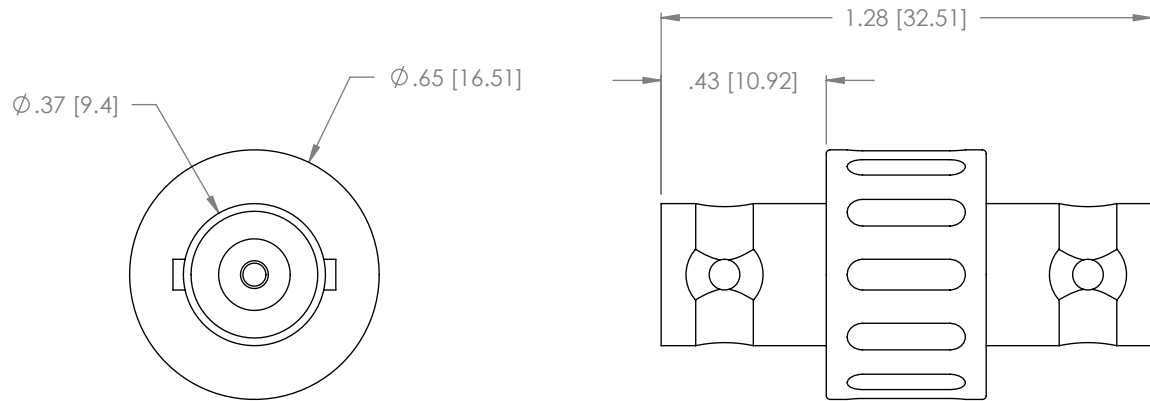


THE INFORMATION CONTAINED IN THIS DRAWING IS THE SOLE PROPERTY OF L-COM, INC. ANY REPRODUCTION IN PART OR WHOLE WITHOUT THE WRITTEN PERMISSION OF L-COM, INC. IS PROHIBITED.

REVISIONS			
REV	DESCRIPTION	DATE	CHANGED BY
A	INITIAL RELEASE	03/28/03	MCCORMICK
B	ECN 3192: UPDATE DWG FORMAT	2/6/08	D.GRIFFIN



2X BNC JACK

NOTES:

MATERIAL:
 BODY: BRASS
 INSULATOR: ACETAL
 CONTACT: BRASS
 INSULATOR BODY: ABS

FINISH:
 BODY: NICKEL PLATE
 CONTACT: GOLD PLATE

PACKAGING:
 INDIVIDUALLY PACKAGE IN A POLYBAG

RoHS Compliant ✓

UNLESS OTHERWISE SPECIFIED, DIMENSIONS ARE IN INCHES [mm] TOLERANCES TO BE: .X ±.1 [2.5] .XX ±.01 [.25] .XXX ±.005 [.13] ANGLES ±2° OVERALL CABLE LENGTH TOL: ≤ 60 [1524] +3 [76.2] / -0 > 60 [1524] +5% / -0%	APPROVALS	DATE
	DRAWN BY C.MCCORMICK	03/28/2003
	CHECKED BY D.PARHAM	03/28/2003
	APPROVED BY R.CARRICK	03/28/2003
PROJ	CONFIGURATION DETAILS OF UNDIMENSIONED FEATURES MAY VARY	

L-com CONNECTIVITY PRODUCTS	45 BEECHWOOD DRIVE NORTH ANDOVER, MA 01845		
	CATEGORY COAXIAL		
PRODUCT DESCRIPTION ADAPTOR BNC F/BNC F INSULATED			
SIZE A	FSCM NO. 43321	DWG. NO. BIF-CB	REV. B
SCALE: NONE		CAD FILE: BIF-CB.SLDDRW	SHEET 1 OF 1