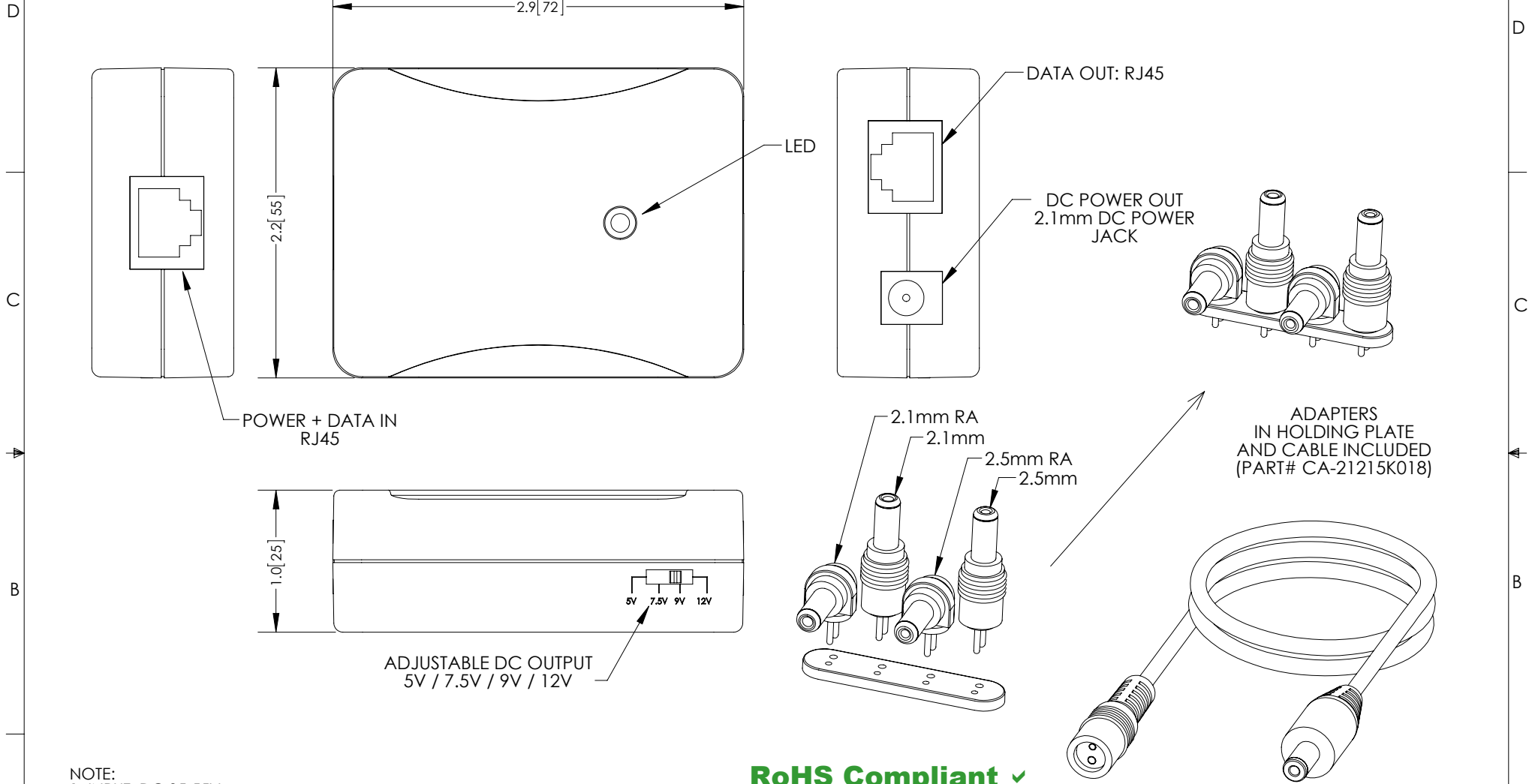


THE INFORMATION CONTAINED IN THIS DRAWING IS THE SOLE PROPERTY OF L-COM, INC. ANY REPRODUCTION IN PART OR WHOLE WITHOUT THE WRITTEN PERMISSION OF L-COM, INC. IS PROHIBITED.

REVISIONS			
REV	DESCRIPTION	DATE	APPROVED
A	INITIAL RELEASE	01/28/12	D.GRIFFIN
-	-	-	-
-	-	-	-



NOTE:
 1- INPUT: DC 35-55V
 2- OUTPUT: DC 5V, 2A
 DC 7.5V, 1.3A
 DC 9V, 1.1A
 DC 12V, 1A
 3- SHALL BE PACKAGED AS PER L-COM SPEC
 4- ALL DIMENSIONS FOR REFERENCE ONLY

RoHS Compliant ✓

UNLESS OTHERWISE SPECIFIED, DIMENSIONS ARE IN INCHES [mm] DIMENSIONAL TOLERANCES: .X = ±.1 .XX = ±.01 .XXX = ±.005 ANGULAR TOLERANCES: ALL = ± 1° PROJECTION 	APPROVALS	DATE		45 BEECHWOOD DRIVE NORTH ANDOVER, MA 01845	
	DRAWN BY B.PUCHASKI	01/28/12			
	CHECKED BY K.BURGNER	01/28/12	CATEGORY	PoE	
	APPROVED BY K.BURGNER	01/28/12	PRODUCT DESCRIPTION	PoE CAT5 SPLITTER ADJUSTABLE DC OUTPUT 5 / 7.5 / 9 / 12V W/18 INCH POWER CABLE KIT	
	COLOR VARIATIONS MAY OCCUR	SIZE A	FSCM NO. 43321	DWG. NO. BT-CAT5-R0512	REV. A
		SCALE: NONE	CAD FILE: BT-CAT5-R0512.SLDDRW		SHEET 1 OF 1