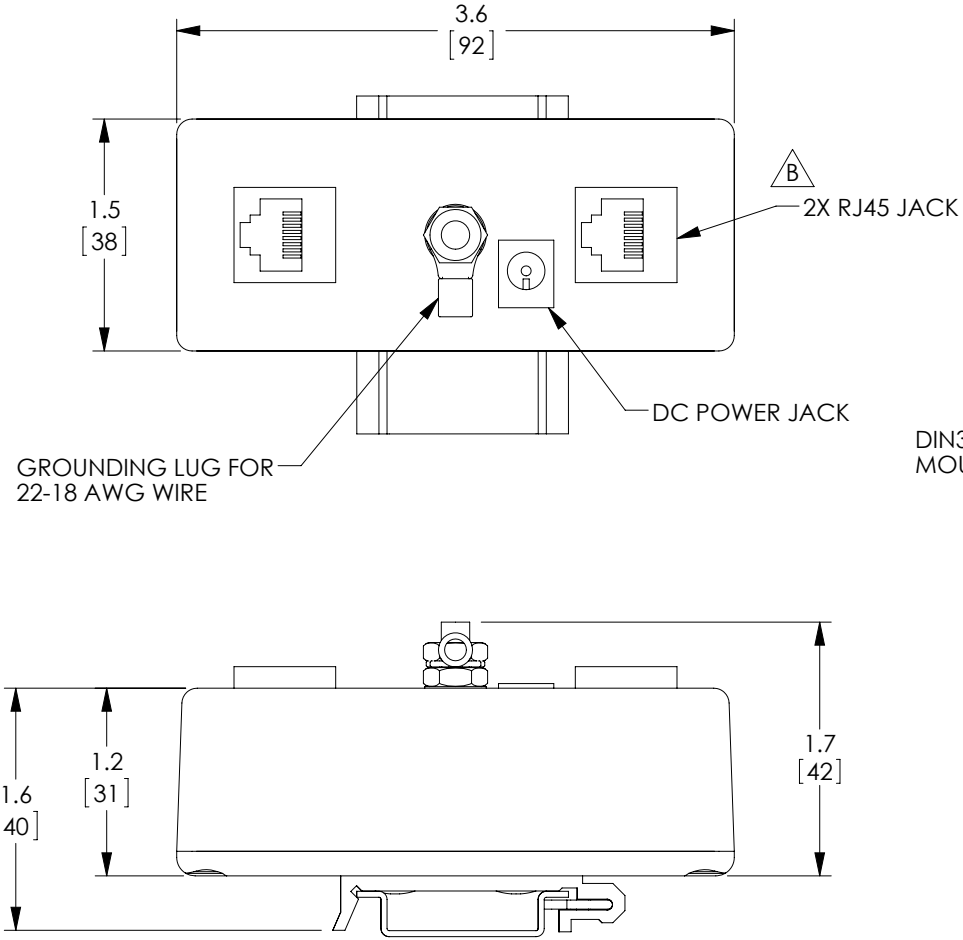
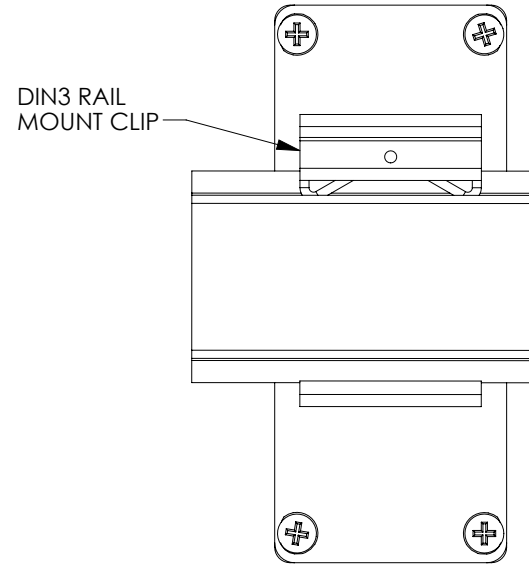


THE INFORMATION CONTAINED IN THIS DRAWING IS THE SOLE PROPERTY OF L-COM, INC. ANY REPRODUCTION IN PART OR WHOLE WITHOUT THE WRITTEN PERMISSION OF L-COM, INC. IS PROHIBITED.

REVISIONS			
REV	DESCRIPTION	DATE	APPROVED
A	INITIAL RELEASE	7/30/14	D.GRIFFIN
B	ECN 8769: ROTATE RJ45 CONNECTOR 180 DEGREES	5/15/2017	R.CLARK



APPLICABLE FOR MODEL#
BTD-CAT6-P1
BTD-CAT6-P1-4848
BTD-CAT6-P1-4870



NOTES:

COMPONENT ASSEMBLY SHALL BE INDIVIDUALLY PACKAGED IN ACCORDANCE WITH L-COM SPECIFICATION PKG-00012.

REGULATORY COMPLIANCE:
CE2011/65/EU (RoHS DIRECTIVE)

UNLESS OTHERWISE SPECIFIED, DIMENSIONS ARE IN INCHES [mm] OVERALL CABLE LENGTH TOLERANCE: ≤12 [305] = +1 [25] / -0 >12 [305] ≤60 [1524] = +2 [51] / -0 >60 [1524] ≤120 [3048] = +4 [102] / -0 >120 [3048] ≤300 [7620] = +6 [152] / -0 >300 [7620] = +5% / -0% ALL OTHER DIMENSIONAL TOLERANCES: .X = ± .2 [5.08] .XX = ± .02 [51] .XXX = ± .005 [1.27]	APPROVALS DRAWN BY B.PUCHASKI CHECKED BY K.BURGNER APPROVED BY P.PESA	DATE 07/29/14 07/29/14 07/29/14	50 HIGH STREET NORTH ANDOVER, MA 01845
	CONFIGURATION DETAILS OF UNDIMENSIONED FEATURES MAY VARY COLOR VARIATIONS MAY OCCUR	CATEGORY POWER OVER ETHERNET	
PROJECTION 	SCALE: NONE	FSCM NO. A 43321	DWG. NO. BTD-CAT6-P1
CAD FILE: BTD-CAT6-P1.SLDDRW		SHEET 1 OF 1	