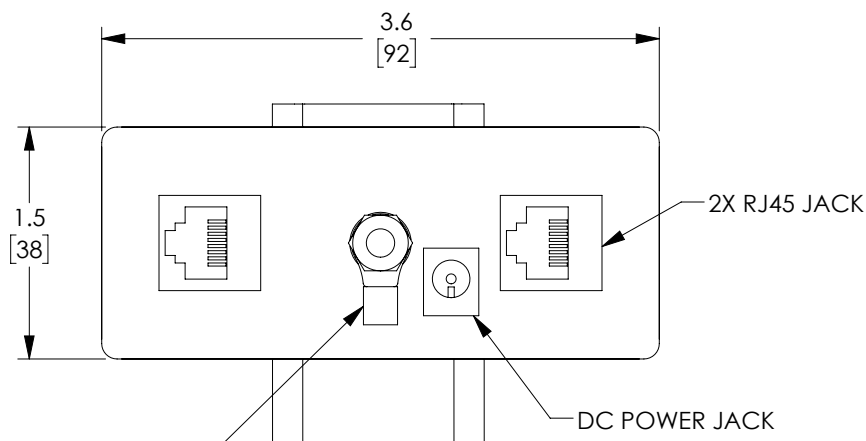


THE INFORMATION CONTAINED IN THIS DRAWING IS THE SOLE PROPERTY OF L-COM, INC. ANY REPRODUCTION IN PART OR WHOLE WITHOUT THE WRITTEN PERMISSION OF L-COM, INC. IS PROHIBITED.

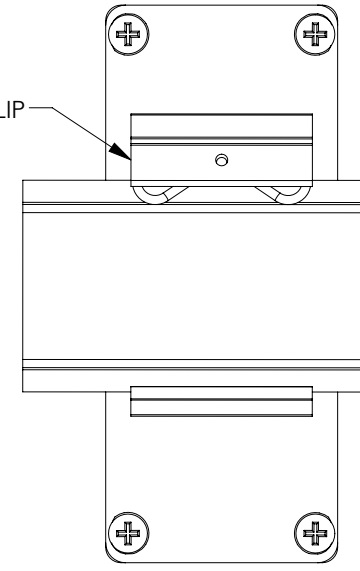
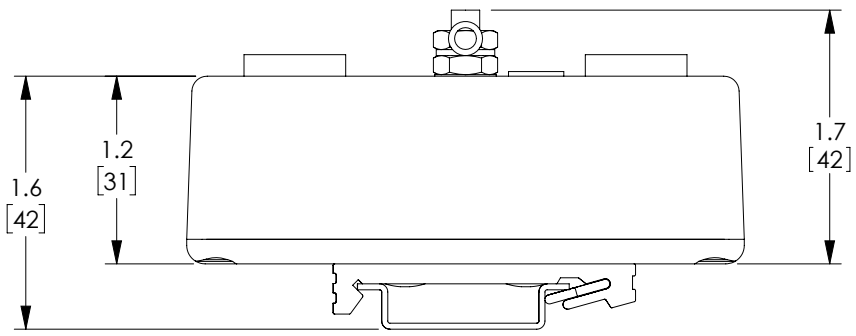
REVISIONS			
REV	DESCRIPTION	DATE	APPROVED
A	INITIAL RELEASE	07/30/2014	D.GRIFFIN
B	ECN 8769: ROTATE RJ45 CONNECTOR 180 DEGREES	05/15/2017	RCLARK
C	ECN 10352: REVISED 22-18AWG TO 10-12 AWG & ADDED ITEM NO TO TABLE	02/04/2020	GUTTADAURO



APPLICABLE FOR MODEL#
BTD-CAT6-P1
BTD-CAT6-P14848
BTD-CAT6-P14870
BTD-CAT6-P1-56118


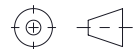
GROUNDING LUG FOR 10-12 AWG WIRE

DIN3 RAIL MOUNT CLIP



NOTES:

COMPONENT ASSEMBLY SHALL BE INDIVIDUALLY PACKAGED IN ACCORDANCE WITH L-COM SPECIFICATION PKG-00012.

UNLESS OTHERWISE SPECIFIED, DIMENSIONS ARE IN INCHES [mm] OVERALL CABLE LENGTH TOLERANCE: ≤12 [305] = +1 [25] / -0 >12 [305] ≤60 [1524] = +2 [51] / -0 >60 [1524] ≤120 [3048] = +4 [102] / -0 >120 [3048] ≤300 [7620] = +6 [152] / -0 >300 [7620] = +5% / -0 ALL OTHER DIMENSIONAL TOLERANCES: .X = ± .2 [5] FRACTIONS ± 1/32 .XX = ± .02 [5] ANGLES ± 1° .XXX = ± .005 [13]	APPROVALS DRAWN BY BPUCHASKI CHECKED BY K.BURGNER APPROVED BY P.PESA	DATE 07/29/2014 07/29/2014 07/29/2014	 50 High Street, West Mill, North Andover, MA 01845 USA. Phone: 1.800.341.5266 1.978.682.6936	
	CONFIGURATION DETAILS OF UNDIMENSIONED FEATURES MAY VARY COLOR VARIATIONS MAY OCCUR			CATEGORY POWER OVER ETHERNET PRODUCT DESCRIPTION BTD-CAT6-P1 SERIES PoE INJECTOR
THIRD-ANGLE PROJECTION 	SIZE A	CAGE CODE 43321	ITEM NO. BTD-CAT6-P1	REV. C
SCALE: NONE		CAD FILE: BTD-CAT6-P1.SLDDRW		SHEET 1 OF 1