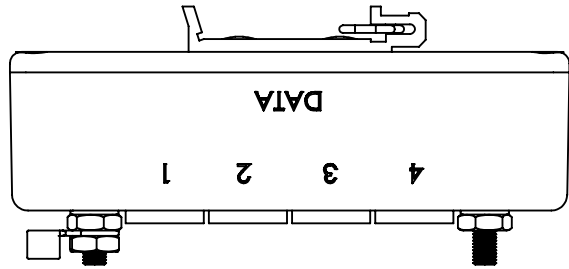
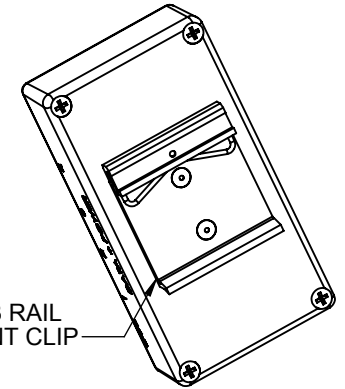
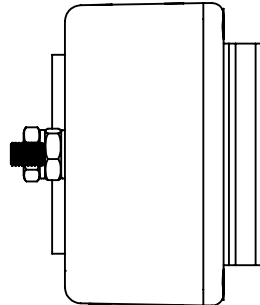
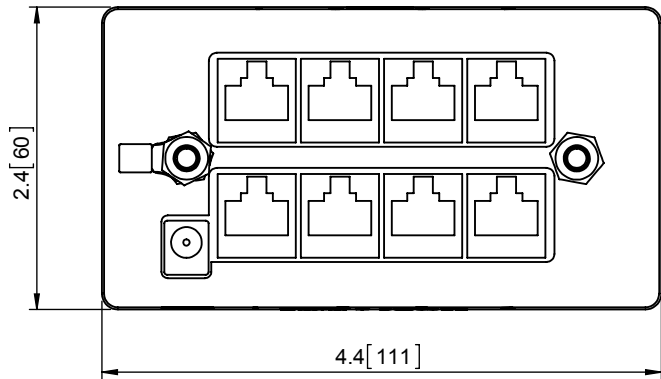
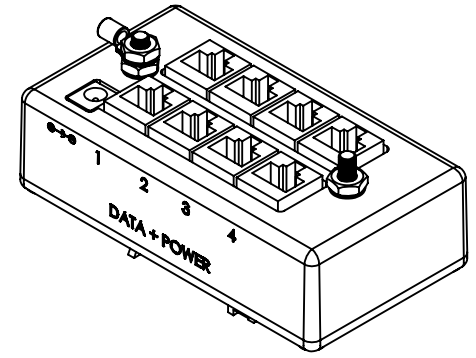


THE INFORMATION CONTAINED IN THIS DRAWING IS THE SOLE PROPERTY OF L-COM, INC. ANY REPRODUCTION IN PART OR WHOLE WITHOUT THE WRITTEN PERMISSION OF L-COM, INC. IS PROHIBITED.

REVISIONS			
REV	DESCRIPTION	DATE	APPROVED
A	INITIAL RELEASE	7/30/14	D.GRIFFIN



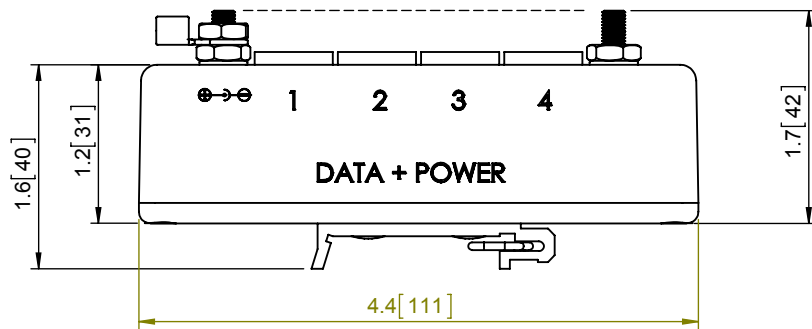
APPLICABLE FOR MODEL#
BTD-CAT6-P4
BTD-CAT6-P4-4848
BTD-CAT6-P4-4870



DIN3 RAIL MOUNT CLIP

NOTE:
 1- COMPONENTS SHALL BE INDIVIDUALLY PACKAGED IN ACCORDANCE WITH L-COM SPECIFICATION PKG-00012
 2- ALL DIMENSIONS ARE FOR REFERENCE ONLY.

REGULATORY COMPLIANCE:
 CE2011/65/EU (RoHS DIRECTIVE)



UNLESS OTHERWISE SPECIFIED, DIMENSIONS ARE IN INCHES [mm] DIMENSIONAL TOLERANCES: .X = ±.1 [2.54] .XX = ±.01 [.25] .XXX = ±.005 [.13] ANGULAR TOLERANCES: ALL = ± 1°	APPROVALS	DATE		45 BEECHWOOD DRIVE NORTH ANDOVER, MA 01845
	DRAWN BY B.PUCHASKI	07/29/14		
	CHECKED BY K.BURGNER	07/29/14	CATEGORY	POWER OVER ETHERNET
	APPROVED BY P.PESA	07/29/14	PRODUCT DESCRIPTION	BTD-CAT6-P4 FOUR PORT DC INJECTOR
PROJECTION 	COLOR VARIATIONS MAY OCCUR	SIZE A	FSCM NO. 43321	DWG. NO. BTD-CAT6-P4
REF	SCALE: NONE	CAD FILE: BTD-CAT6-P4.SLDDRW	SHEET 1 OF 1	