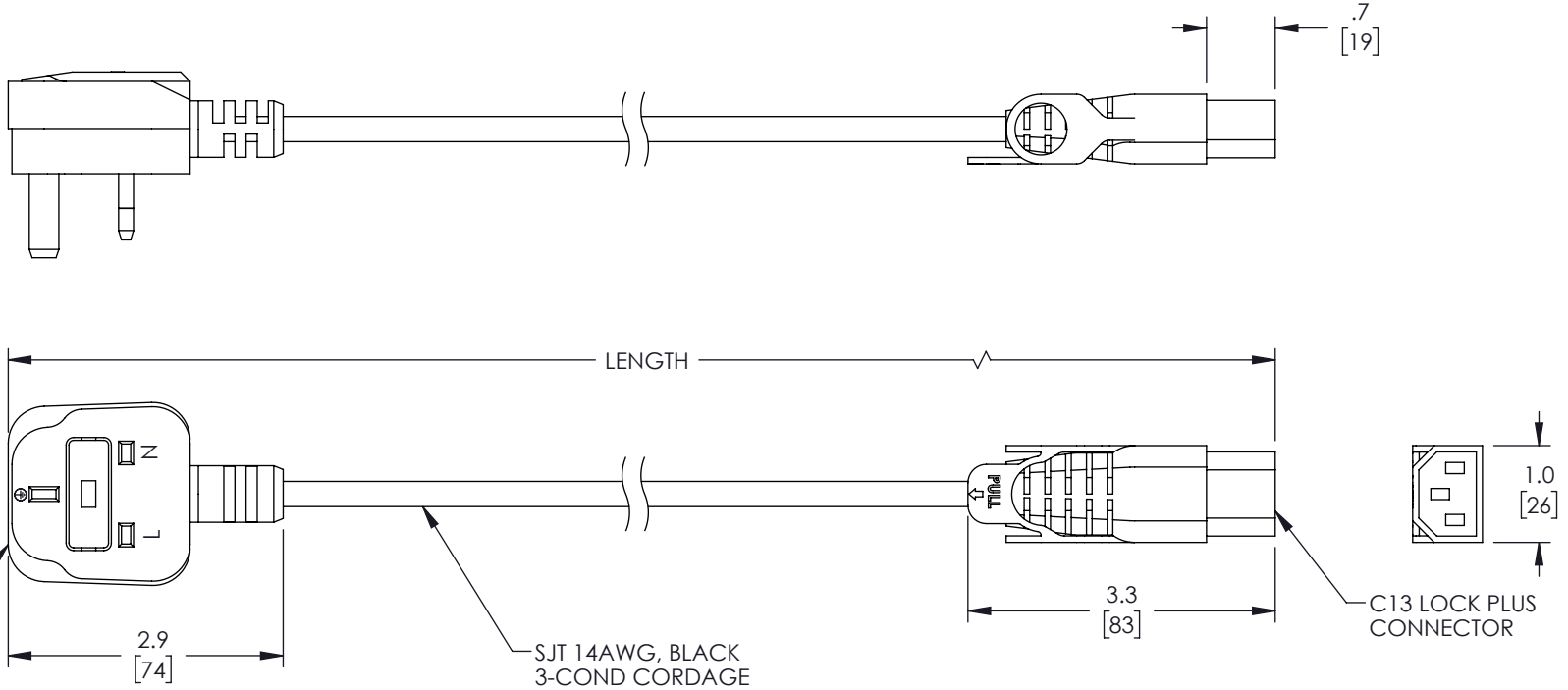


THE INFORMATION CONTAINED IN THIS DRAWING IS THE SOLE PROPERTY OF L-COM, INC. ANY REPRODUCTION IN PART OR WHOLE WITHOUT THE WRITTEN PERMISSION OF L-COM, INC. IS PROHIBITED.


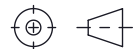
REVISIONS			
REV	DESCRIPTION	DATE	APPROVED
A	INITIAL RELEASE	08/26/22	GUTTADAURO



NOTES:

1. PLUG: TYPE BS1363 (10A FUSE), BLACK
2. CONNECTOR: EN60320 C13 LOCK PLUS, BLACK
3. CORDAGE: H05VV3G1.0MM<sup>2</sup>, BLACK  
COLOR CODING: BLUE, BROWN, GREEN/YELLOW  
APPROVALS: BSI, ENEC  
RATING: 10A/250V
4. OPTIONAL LABELS MAY INCLUDE UL, CURRENT AND/OR WARNING.
5. CABLE ASSEMBLIES SHALL BE INDIVIDUALLY PACKAGED.

TABULATION BLOCK	
ITEM NO.	LENGTH ±.6 [15]
C13LPBS-10-1M	39.4 [1000]
C13LPBS-10-2M	78.7 [2000]

UNLESS OTHERWISE SPECIFIED, DIMENSIONS ARE IN INCHES [mm] OVERALL CABLE LENGTH TOLERANCE: ≤12 [305] = +1 [25] / -0 >12 [305] ≤60 [1524] = +2 [51] / -0 >60 [1524] ≤120 [3048] = +4 [102] / -0 >120 [3048] ≤300 [7620] = +6 [152] / -0 >300 [7620] = +5% / -0 ALL OTHER DIMENSIONAL TOLERANCES: .X = ±.2 [5]   FRACTIONS ± 1/32 .XX = ±.02 [5]   ANGLES ± 1° .XXX = ±.005 [13]	APPROVALS DRAWN BY VTHANGARAJ CHECKED BY DGUST APPROVED BY GUTTADAURO	DATE 08/26/22 08/26/22 08/26/22	 50 High Street, West Mill, North Andover, MA 01845 USA. Phone: 1.800.341.5266 1.978.682.6936	
	CONFIGURATION DETAILS OF UNDIMENSIONED FEATURES MAY VARY			CATEGORY <b>POWER PRODUCTS</b>
	COLOR VARIATIONS MAY OCCUR			PRODUCT DESCRIPTION <b>IEC LOCK C13+ TO UK PLUG,          10 A, 250 V</b>
THIRD-ANGLE PROJECTION 	SIZE <b>A</b>	CAGE CODE <b>43321</b>	ITEM NO. <b>C13LPBS-10</b>	REV. <b>A</b>
SCALE: NONE		CAD FILE: C13LPBS-10.SLDDRW		SHEET 1 OF 1