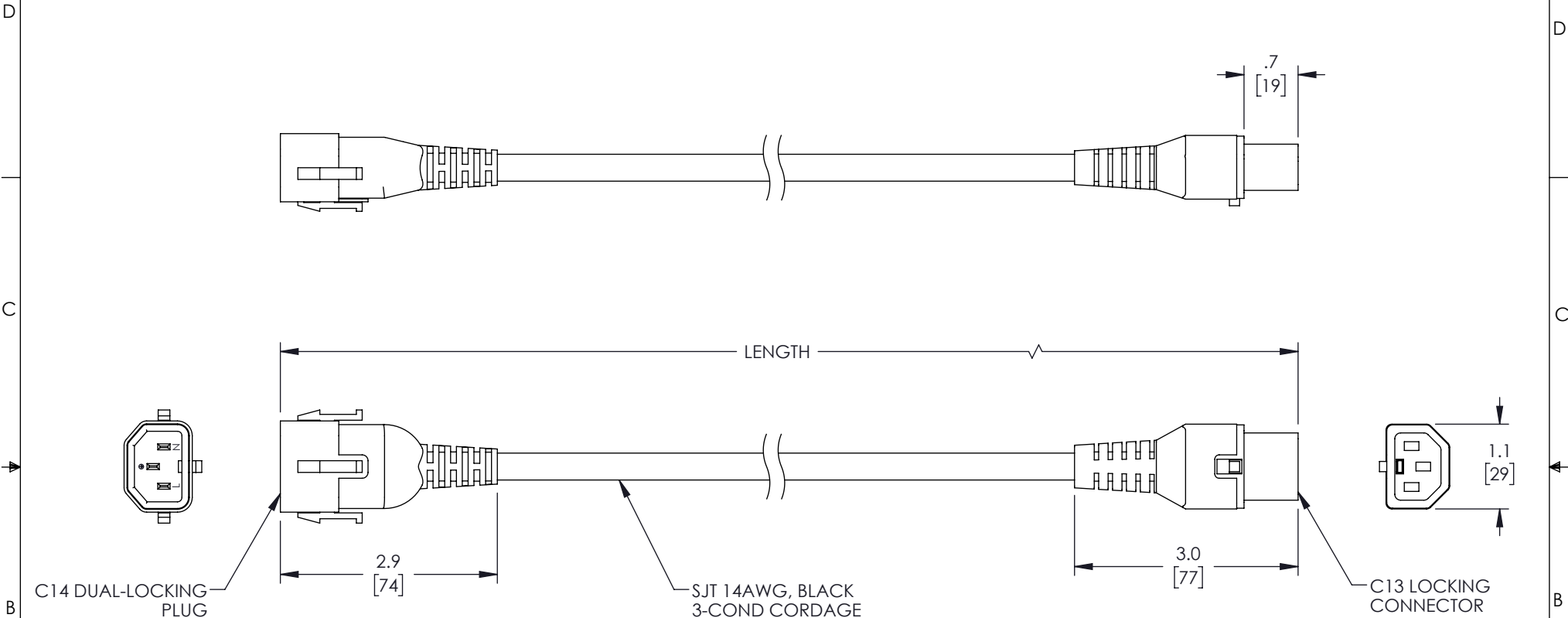



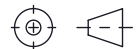
THE INFORMATION CONTAINED IN THIS DRAWING IS THE SOLE PROPERTY OF L-COM, INC. ANY REPRODUCTION IN PART OR WHOLE WITHOUT THE WRITTEN PERMISSION OF L-COM, INC. IS PROHIBITED.

REVISIONS			
REV	DESCRIPTION	DATE	APPROVED
A	INITIAL RELEASE	09/16/22	GUTTADAURO



TABULATION BLOCK	
ITEM NO.	LENGTH ±.6 [15]
C14LC13L-15-3F	36.0 [914]
C14LC13L-15-6F	72.0 [1829]

- NOTES:
1. PLUG: EN60320 C14 DUAL-LOCKING, BLACK
  2. CONNECTOR: EN60320 C13 LOCKING, BLACK
  3. CORDAGE: SJT3X14AWG, BLACK  
COLOR CODING OF CONDUCTORS: BLACK, WHITE, GREEN  
APPROVALS: UL/CSA  
RATING: 15A/250V
  4. OPTIONAL LABELS MAY INCLUDE UL, CURRENT AND/OR WARNING.
  5. CABLE ASSEMBLIES SHALL BE INDIVIDUALLY PACKAGED.

UNLESS OTHERWISE SPECIFIED, DIMENSIONS ARE IN INCHES [mm] OVERALL CABLE LENGTH TOLERANCE: ≤12 [305] = +1 [25] / -0 >12 [305] ≤60 [1524] = +2 [51] / -0 >60 [1524] ≤120 [3048] = +4 [102] / -0 >120 [3048] ≤300 [7620] = +6 [152] / -0 >300 [7620] = +5% / -0 ALL OTHER DIMENSIONAL TOLERANCES: .X = ±.2 [5]   FRACTIONS ± 1/32 .XX = ±.02 [5]   ANGLES ± 1° .XXX = ±.005 [13]	APPROVALS DRAWN BY VTHANGARAJ CHECKED BY DGUST APPROVED BY GUTTADAURO	DATE 09/16/22 09/16/22 09/16/22	 an INFINIT® brand 50 High Street, West Mill, North Andover, MA 01845 USA. Phone: 1.800.341.5266 1.978.682.6936	
	CONFIGURATION DETAILS OF UNDIMENSIONED FEATURES MAY VARY COLOR VARIATIONS MAY OCCUR	CATEGORY <b>POWER PRODUCTS</b> PRODUCT DESCRIPTION <b>IEC LOCK C13 TO DUAL LOCKING C14, 15A, 250V</b>		
THIRD-ANGLE PROJECTION 	SIZE <b>A</b>	CAGE CODE <b>43321</b>	ITEM NO. <b>C14LC13L-15</b>	REV. <b>A</b>
SCALE: NONE		CAD FILE: C14LC13L-15.SLDDRW		SHEET 1 OF 1