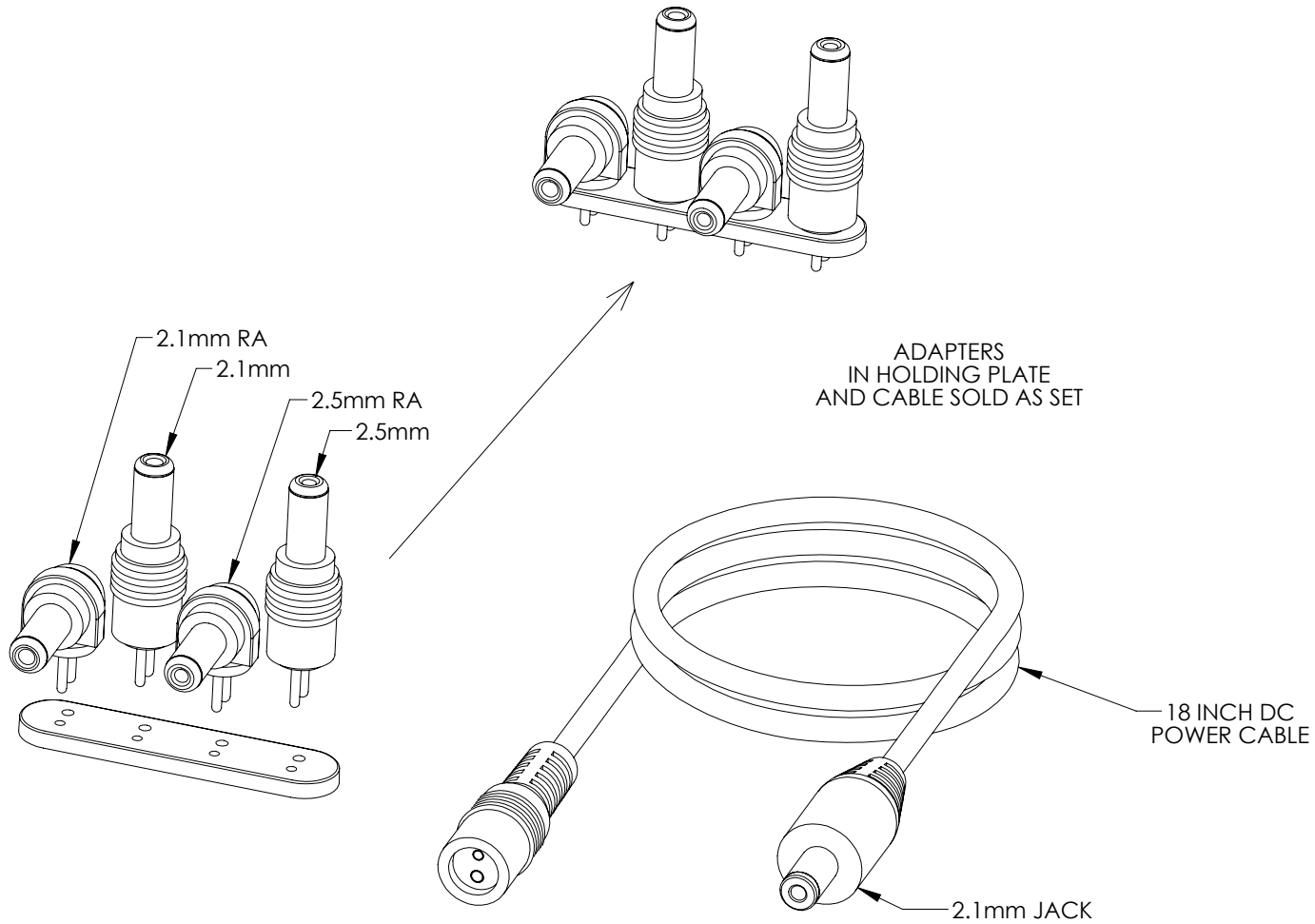


THE INFORMATION CONTAINED IN THIS DRAWING IS THE SOLE PROPERTY OF L-COM, INC. ANY REPRODUCTION IN PART OR WHOLE WITHOUT THE WRITTEN PERMISSION OF L-COM, INC. IS PROHIBITED.


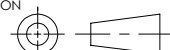
REVISIONS			
REV	DESCRIPTION	DATE	APPROVED
A	INITIAL RELEASE	01/28/12	D.GRIFFIN
-	-	-	-
-	-	-	-



NOTES:

- 1- SHALL BE PACKAGED AS PER L-COM SPEC PKG-00012
- 2- ALL DIMENSIONS FOR REFERENCE ONLY

RoHS Compliant ✓

UNLESS OTHERWISE SPECIFIED, DIMENSIONS ARE IN INCHES [mm]	APPROVALS	DATE	 45 BEECHWOOD DRIVE NORTH ANDOVER, MA 01845		
	DRAWN BY B.PUCHASKI	01/28/12			
DIMENSIONAL TOLERANCES: .X = ±.1 .XX = ±.01 .XXX = ±.005	CHECKED BY K.BURGNER	01/28/12	CATEGORY PoE		
	APPROVED BY K.BURGNER	01/28/12			
ANGULAR TOLERANCES: ALL = ± 1°	CONFIGURATION DETAILS OF UNDIMENSIONED FEATURES MAY VARY		PRODUCT DESCRIPTION DC POWER CABLE KIT 2.1 / 2.5 W/ 18 INCH CABLE		
PROJECTION 	COLOR VARIATIONS MAY OCCUR	SIZE A	FSCM NO. 43321	DWG. NO. CA-212125K018	REV. A
		SCALE: NONE	CAD FILE: CA-212125K018.SLDDRW	SHEET 1 OF 1	