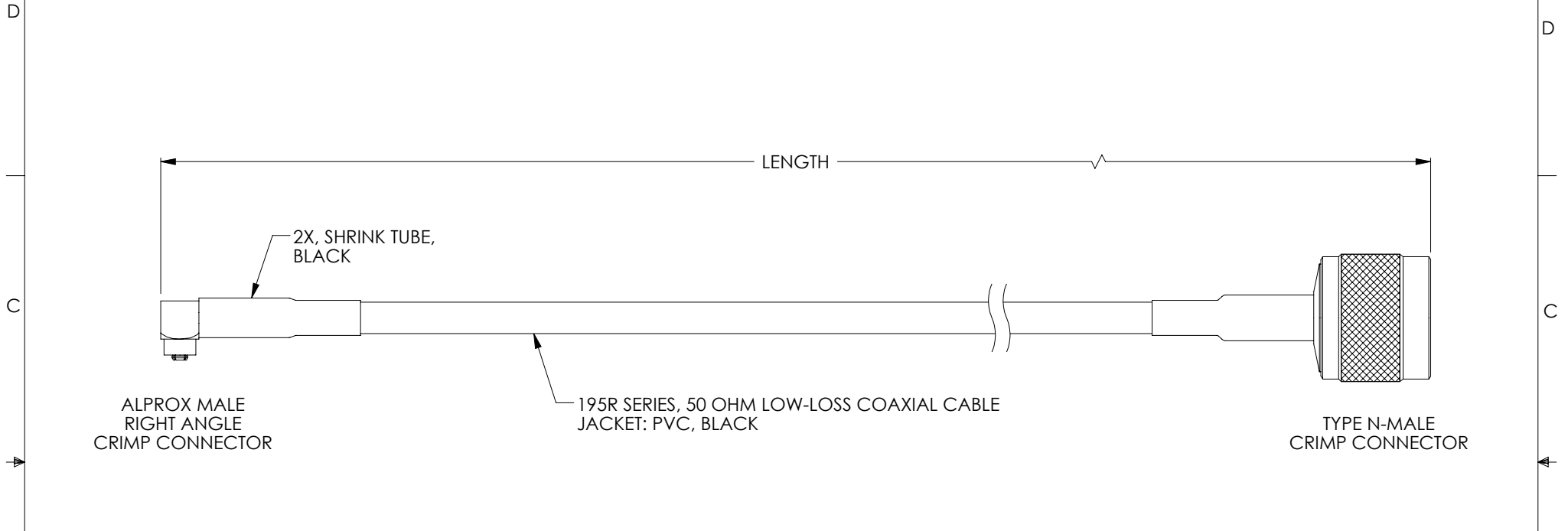


THE INFORMATION CONTAINED IN THIS DRAWING IS THE SOLE PROPERTY OF L-COM, INC. ANY REPRODUCTION IN PART OR WHOLE WITHOUT THE WRITTEN PERMISSION OF L-COM, INC. IS PROHIBITED.

RoHS Compliant ✓

REVISIONS			
REV	DESCRIPTION	DATE	APPROVED
A	INTERNAL RELEASE	1/7/13	D.GRIFFIN



LENGTH CODE CHART		
CABLE# & LENGTH	LENGTH SYMBOL	EXAMPLES OF PART# USED
CA-AMNMAXXX	WHERE XXX = LENGTH IN FEET	CA-AMNMA010 (10 FEET)
CA-AMNMANXX	WHERE NXX = LENGTH IN INCHES	CA-AMNMAN16 (16 INCHES)
CA-AMNMAMXX	WHERE MXX = LENGTH IN METERS	CA-AMNMAM07 (7 METERS)
CA-AMNMAXMX	WHERE XMX = LENGTH IN DECIMAL METERS	CA-AMNMA3M5 (3.5 METERS)

NOTES:

1. CABLE ASSEMBLY SHALL BE TESTED FOR CONTINUITY.
2. CABLE ASSEMBLY SHALL RECEIVE INSERTION LOSS TEST PER L-COM SPECIFICATIONS.
3. CABLE ASSEMBLY SHALL BE INDIVIDUALLY PACKAGED IN ACCORDANCE WITH L-COM SPECIFICATION PS-0031.

UNLESS OTHERWISE SPECIFIED, DIMENSIONS ARE IN INCHES [mm] OVERALL CABLE LENGTH TOLERANCE: ≤ 12 [305] = +1 [25] / -0 > 12 [305] ≤ 60 [1524] = +2 [51] / -0 > 60 [1524] ≤ 120 [3048] = +4 [102] / -0 > 120 [3048] ≤ 300 [7620] = +6 [152] / -0 > 300 [7620] = +3% / -0% ALL OTHER DIMENSIONAL TOLERANCES: .X = ± .2 .XX = ± .02 .XXX = ± .005	APPROVALS DRAWN BY D. DESJARDIN CHECKED BY P. PESA APPROVED BY P. PESA	DATE 1/7/13 1/7/13 1/7/13	45 BEECHWOOD DRIVE NORTH ANDOVER, MA 01845
	CONFIGURATION DETAILS OF UNDIMENSIONED FEATURES MAY VARY		CATEGORY COAXIAL
	COLOR VARIATIONS MAY OCCUR		PRODUCT DESCRIPTION CA, CA-195 ALPROX M / NM
	PROJECTION 	SIZE A	FSCM NO. 43321