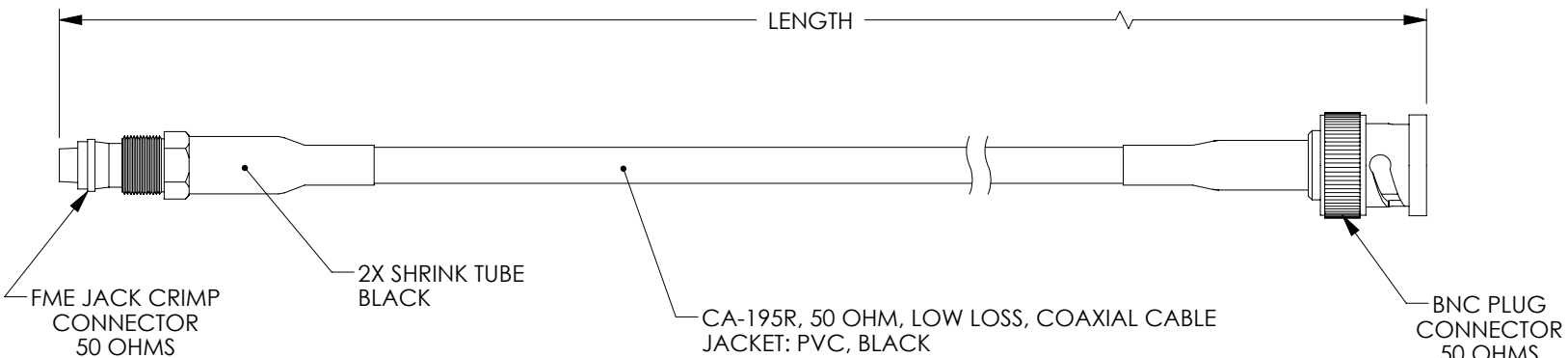


THE INFORMATION CONTAINED IN THIS DRAWING IS THE SOLE PROPERTY OF L-COM, INC. ANY REPRODUCTION IN PART OR WHOLE WITHOUT THE WRITTEN PERMISSION OF L-COM, INC. IS PROHIBITED.

REVISIONS			
REV	DESCRIPTION	DATE	APPROVED
A	INITIAL RELEASE	12/21/10	D.GRIFFIN



LENGTH CODE CHART		
CABLE# & LENGTH	LENGTH SYMBOL	EXAMPLES OF PART# USED
CA-FMEJBMA $\underline{\text{XXX}}$	WHERE XXX = LENGTH IN FEET	CA-FMEJBMA010 (10 FEET)
CA-FMEJBMAN $\underline{\text{NXX}}$	WHERE NXX = LENGTH IN INCHES	CA-FMEJBMAN16 (16 INCHES)
CA-FMEJBMAM $\underline{\text{MXX}}$	WHERE MXX = LENGTH IN METERS	CA-FMEJBMAM07 (7 METERS)
CA-FMEJBMAX $\underline{\text{MX}}$	WHERE MX = LENGTH IN DECIMAL METERS	CA-FMEJBMA3M5 (3.5 METERS)

RoHS Compliant ✓

NOTES:

1. CABLE ASSEMBLY SHALL BE TESTED FOR CONTINUITY.
2. CABLE ASSEMBLY SHALL RECEIVE INSERTION LOSS TEST PER L-COM SPECIFICATIONS
3. CABLE ASSEMBLY SHALL BE INDIVIDUALLY PACKAGED IN ACCORDANCE WITH L-COM SPECIFICATION PS-0031.

UNLESS OTHERWISE SPECIFIED, DIMENSIONS ARE IN INCHES [mm] OVERALL CABLE LENGTH TOLERANCE: ≤12 [305] = +1 [25] / -0 >12 [305] ≤60 [1524] = +2 [51] / -0 >60 [1524] ≤120 [3048] = +4 [102] / -0 >120 [3048] ≤300 [7620] = +6 [152] / -0 >300 [7620] = +3% / -0%	APPROVALS	DATE		45 BEECHWOOD DRIVE NORTH ANDOVER, MA 01845
	DRAWN BY D. CASTRO	12/21/10		
ALL OTHER DIMENSIONAL TOLERANCES: .X = ±.2 .XX = ±.02 .XXX = ±.005	CHECKED BY D. PARHAM	12/21/10	CATEGORY COAXIAL	
	APPROVED BY K. BURGNER	12/21/10	PRODUCT DESCRIPTION CA,CA-195 FME J/BNC MALE	
PROJECTION 	CONFIGURATION DETAILS OF UNDIMENSIONED FEATURES MAY VARY	COLOR VARIATIONS MAY OCCUR	SIZE A	FSCM NO. 43321
			DWG. NO. CA-FMEJBMA	REV. A
			SCALE: NONE	CAD FILE: CA-FMEJBMA.SLDDRW
			SHEET 1 OF 1	