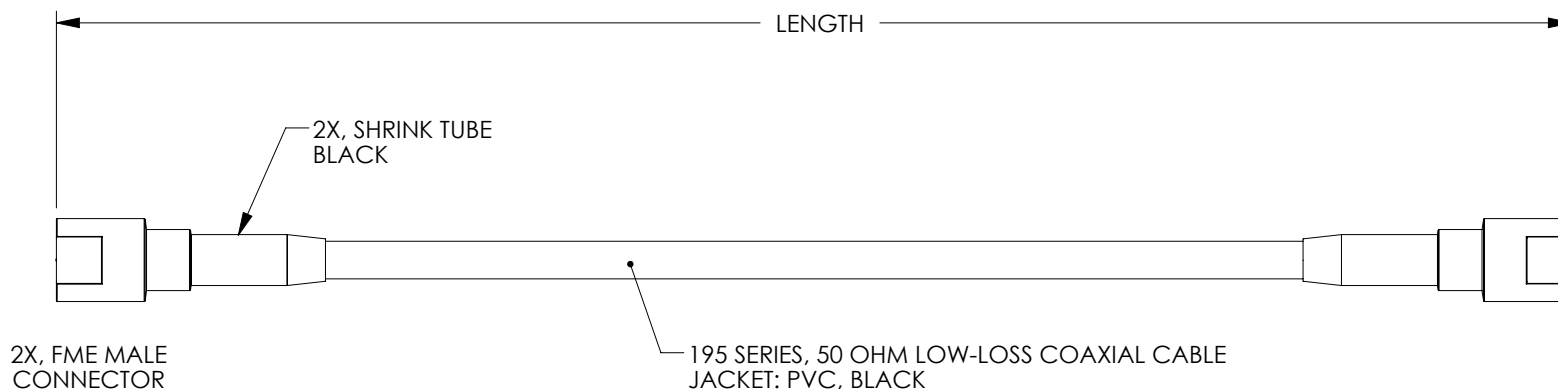


THE INFORMATION CONTAINED IN THIS DRAWING IS THE SOLE PROPERTY OF L-COM, INC. ANY REPRODUCTION IN PART OR WHOLE WITHOUT THE WRITTEN PERMISSION OF L-COM, INC. IS PROHIBITED.

REVISIONS			
REV	DESCRIPTION	DATE	APPROVED
A	INITIAL RELEASE	12/21/10	D.GRIFFIN



LENGTH CODE CHART		
CABLE# & LENGTH	LENGTH SYMBOL	EXAMPLES OF PART# USED
CA-FMEPFMEPA <u>XXX</u>	WHERE XXX = LENGTH IN FEET	CA-FMEPFMEPA010 (10 FEET)
CA-FMEPFMEPAN <u>NXX</u>	WHERE NXX = LENGTH IN INCHES	CA-FMEPFMEPAN16 (16 INCHES)
CA-FMEPFMEPAM <u>MXX</u>	WHERE MXX = LENGTH IN METERS	CA-FMEPFMEPAM07 (7 METERS)
CA-FMEPFMEPA <u>XMXX</u>	WHERE XMXX = LENGTH IN DECIMAL METERS	CA-FMEPFMEPA3M5 (3.5 METERS)

RoHS Compliant ✓

NOTES:

CABLE ASSEMBLY SHALL BE TESTED FOR CONTINUITY.

CABLE ASSEMBLY SHALL RECEIVE INSERTION LOSS TEST PER L-COM SPECIFICATION.

CABLE ASSEMBLY SHALL BE INDIVIDUALLY PACKAGED IN ACCORDANCE THE L-COM SPECIFICATION PS-0031.

UNLESS OTHERWISE SPECIFIED, DIMENSIONS ARE IN INCHES [mm] OVERALL CABLE LENGTH TOLERANCE: ≤ 12 [305] = +1 [25] / -0 > 12 [305] ≤ 60 [1524] = +2 [51] / -0 > 60 [1524] ≤ 120 [3048] = +4 [102] / -0 > 120 [3048] ≤ 300 [7620] = +6 [152] / -0 > 300 [7620] = +3% / -0% ALL OTHER DIMENSIONAL TOLERANCES: .X = ±.2 .XX = ±.02 .XXX = ±.005	APPROVALS DRAWN BY D.FRISIELLO CHECKED BY K.BURGNER APPROVED BY K.BURGNER	DATE 12/21/10 12/21/10 12/21/10	45 BEECHWOOD DRIVE NORTH ANDOVER, MA 01845		
	CONFIGURATION DETAILS OF UNDIMENSIONED FEATURES MAY VARY	CATEGORY COAXIAL		PRODUCT DESCRIPTION CA, CA-195 FME P/FME P	
PROJECTION 	COLOR VARIATIONS MAY OCCUR	SIZE A	FSCM NO. 43321	DWG. NO. CA-FMEPFMEPA	REV. A
SCALE: NONE		CAD FILE: CA-FMEPFMEPA.SLDDRW		SHEET 1 OF 1	