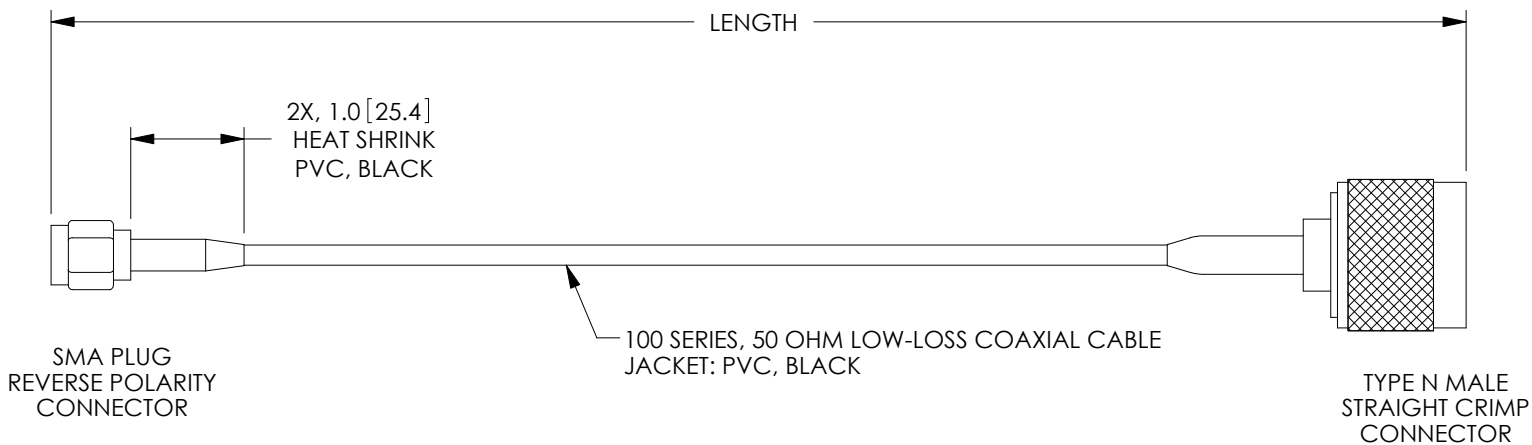


THE INFORMATION CONTAINED IN THIS DRAWING IS THE SOLE PROPERTY OF L-COM, INC. ANY REPRODUCTION IN PART OR WHOLE WITHOUT THE WRITTEN PERMISSION OF L-COM, INC. IS PROHIBITED.

REVISIONS			
REV	DESCRIPTION	DATE	APPROVED
A	INITIAL RELEASE	6/21/10	D.GRIFFIN
B	ECN 4869: REVISE VIEW OF RP SMA JACK TO PLUG	6/28/10	D.FRISIELLO



LENGTH CODE CHART		
CABLE# & LENGTH	LENGTH SYMBOL	EXAMPLES OF PART# USED
CA-RSPNMCXXX	WHERE XXX = LENGTH IN FEET	CA-RSPNMC010 (10 FEET)
CA-RSPNMCNXX	WHERE NXX = LENGTH IN INCHES	CA-RSPNMCN16 (16 INCHES)
CA-RSPNMCMXX	WHERE MXX = LENGTH IN METERS	CA-RSPNMC07 (7 METERS)
CA-RSPNMCXMX	WHERE XMX = LENGTH IN DECIMAL METERS	CA-RSPNMC3M5 (3.5 METERS)

RoHS Compliant ✓

NOTES:

CABLE ASSEMBLY SHALL BE TESTED FOR CONTINUITY.

CABLE ASSEMBLY SHALL BE INDIVIDUALLY PACKAGED IN ACCORDANCE WITH L-COM SPECIFICATION PS-0031.

UNLESS OTHERWISE SPECIFIED, DIMENSIONS ARE IN INCHES [mm] OVERALL CABLE LENGTH TOLERANCE: $\leq 12$ [305] = +1 [25] / -0 $>12$ [305] $\leq 60$ [1524] = +2 [51] / -0 $>60$ [1524] $\leq 120$ [3048] = +4 [102] / -0 $>120$ [3048] $\leq 300$ [7620] = +6 [152] / -0 $>300$ [7620] = +3% / -0% ALL OTHER DIMENSIONAL TOLERANCES: .X = ±.2 .XX = ±.02 .XXX = ±.005	APPROVALS DRAWN BY D.FRISIELLO CHECKED BY K.BURGNER APPROVED BY K.BURGNER	DATE 6/18/10 6/18/10 6/18/10	45 BEECHWOOD DRIVE NORTH ANDOVER, MA 01845
	CONFIGURATION DETAILS OF UNDIMENSIONED FEATURES MAY VARY COLOR VARIATIONS MAY OCCUR	CATEGORY COAXIAL	
PROJECTION 	SIZE <b>A</b>	FSCM NO. <b>43321</b>	DWG. NO. CA-RSPNMC
SCALE: NONE		CAD FILE: CA-RSPNMC.SLDDRW	SHEET 1 OF 1