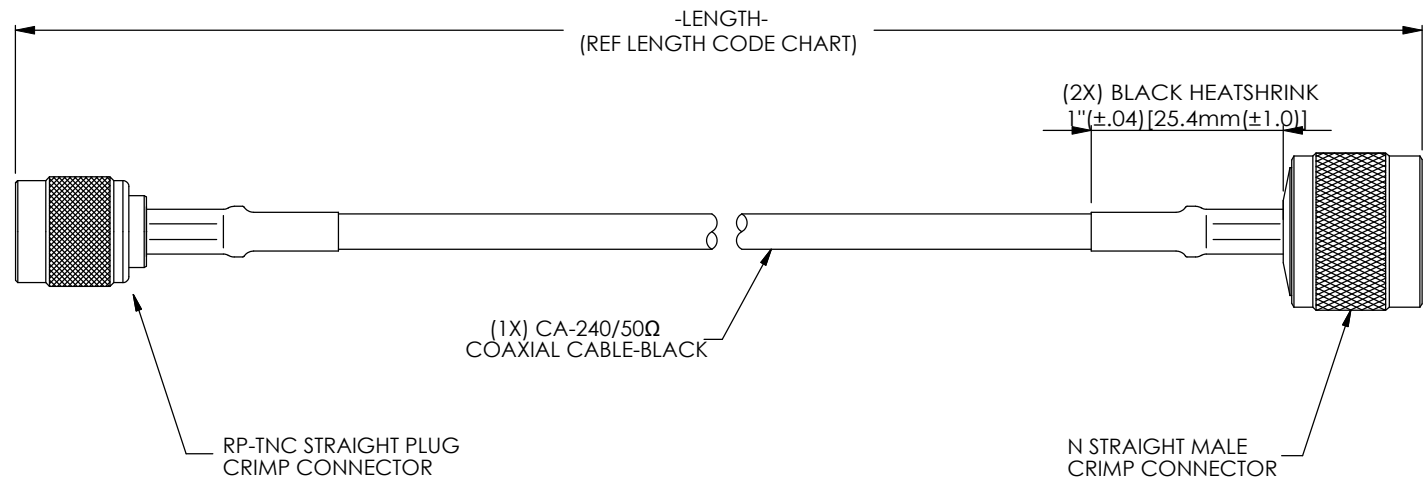


THE INFORMATION CONTAINED IN THIS DRAWING IS THE SOLE PROPERTY OF L-COM, INC. ANY REPRODUCTION IN PART OR WHOLE WITHOUT THE WRITTEN PERMISSION OF L-COM, INC. IS PROHIBITED.

REVISIONS			
REV	DESCRIPTION	DATE	APPROVED
A	Initial Release	3/01/10	B.Puchaski



LENGTH CODE CHART		
CABLE# & LENGTH	LENGTH SYMBOL	EXAMPLES OF PART# USED
<u>CA-RTPNMTXXX</u>	WHERE XXX = LENGTH IN FEET	CA-RTPNMT010 (10 FEET)
<u>CA-RTPNMTNXX</u>	WHERE NXX = LENGTH IN INCHES	CA-RTPNMTN16 (16 INCHES)
<u>CA-RTPNMTMXX</u>	WHERE MXX = LENGTH IN METERS	CA-RTPNMTM07 (7 METERS)
<u>CA-RTPNMTXMX</u>	WHERE XMX = LENGTH IN DECIMEL METERS	CA-RTPNMT3M5 (3.5 METERS)

- NOTES:
1. CABLE ASSEMBLY SHALL BE TESTED FOR CONTINUITY
 2. CABLE ASSEMBLY SHALL RECIEVE INSERTION LOSS TEST#TP-00027
 3. CABLE ASSEMBLY SHALL WITHSTAND PULL TEST OF 50lbs WITHOUT ANY SEPERATION OR ELECTRICAL FAILURE
 4. CABLE SHALL BE RoHS COMPLIANT
 5. CABLE ASSEMBLY SHALL BE INDIVIDUALLY PACKAGED IN ACCORDANCE WITH L-COM SPECIFICATION PS-0031
 6. CENTER PIN OF CONNECTORS TO BE SOLDERED OR CRIMPED ONTO CABLE INNER CONDUCTOR

UNLESS OTHERWISE SPECIFIED, DIMENSIONS ARE IN INCHES [mm] OVERALL CABLE LENGTH TOLERANCE: ≤ 12 [305] = +1 [25] / -0 >12 [305] ≤ 60 [1524] = +2 [51] / -0 >60 [1524] ≤ 120 [3048] = +4 [102] / -0 >120 [3048] ≤ 300 [7620] = +6 [152] / -0 >300 [7620] = +3% / -0% ALL OTHER DIMENSIONAL TOLERANCES: .X = ± .2 .XX = ± .02 .XXX = ± .005	APPROVALS DRAWN BY B.Puchaski	DATE 03/01/10		45 BEECHWOOD DRIVE NORTH ANDOVER, MA 01845		
	CHECKED BY M.Audas	DATE 03/01/10		CATEGORY COAXIAL		
	APPROVED BY M.Audas	DATE 03/01/10	PRODUCT DESCRIPTION Fabrication: CA-240 Series RP-TNC Plug to N-Male Assembly w/Heatshrink			
	PROJECTION 	CONFIGURATION DETAILS OF UNDIMENSIONED FEATURES MAY VARY	COLOR VARIATIONS MAY OCCUR	SIZE A	FSCM NO. 43321	DWG. NO. CA-RTPNMT
SCALE: NONE			CAD FILE: CA-RTPNMT.SLDDRW		SHEET 1 OF 1	