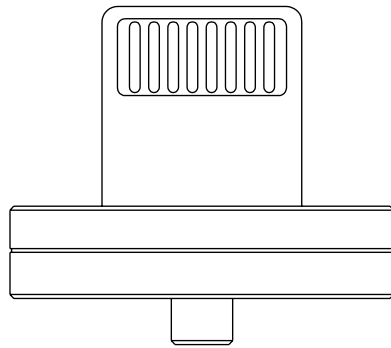
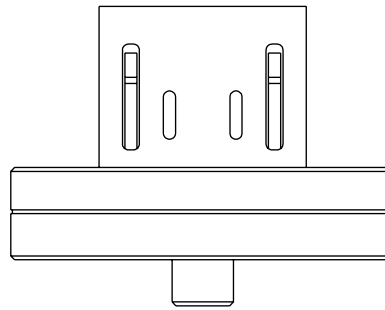


THE INFORMATION CONTAINED IN THIS DRAWING IS THE SOLE PROPERTY OF L-COM, INC. ANY REPRODUCTION IN PART OR WHOLE WITHOUT THE WRITTEN PERMISSION OF L-COM, INC. IS PROHIBITED.

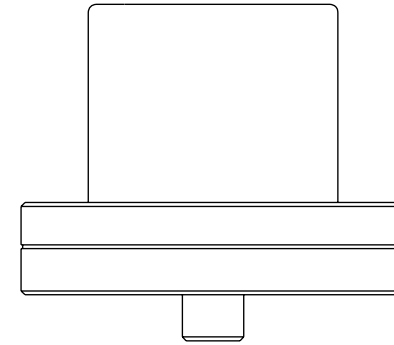
REVISIONS			
REV	DESCRIPTION	DATE	APPROVED
A	INITIAL RELEASE	01/20/2023	GUTTADAURO



LIGHTNING CONNECTOR



USB 2.0  
MICRO B5 MALE  
CONNECTOR



USB 2.0  
TYPE C MALE  
CONNECTOR

**NOTES:**

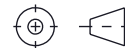
1. ADAPTERS SHALL PACKAGED AS A 3 PIECE KIT.

UNLESS OTHERWISE SPECIFIED,  
DIMENSIONS ARE IN INCHES [mm]

OVERALL CABLE LENGTH TOLERANCE:  
 $\leq 12$  [305] = +1 [25] / -0  
 $> 12$  [305]  $\leq 60$  [1524] = +2 [51] / -0  
 $> 60$  [1524]  $\leq 120$  [3048] = +4 [102] / -0  
 $> 120$  [3048]  $\leq 300$  [7620] = +6 [152] / -0  
 $> 300$  [7620] = +5% / -0

ALL OTHER DIMENSIONAL TOLERANCES:  
.X =  $\pm .2$  [5] | FRACTIONS  $\pm 1/32$   
.XX =  $\pm .02$  [.5] | ANGLES  $\pm 1^\circ$   
.XXX =  $\pm .005$  [.13]

THIRD-ANGLE PROJECTION



APPROVALS	DATE
DRAWN BY DFRISIELLO	01/20/2023
CHECKED BY RCARLESCO	01/20/2023
APPROVED BY GUTTADAURO	01/20/2023

**L-com**  
an INFINITI brand

50 High Street, West Mill,  
North Andover, MA 01845 USA.  
Phone: 1.800.341.5266  
1.978.682.6936

CATEGORY	USB
----------	-----

PRODUCT DESCRIPTION	540°Rotating Magnetic Tip Kit, 3in1
---------------------	-------------------------------------

SIZE	CAGE CODE	ITEM NO.	REV.
<b>A</b>	<b>43321</b>	CAU2A-3IN1MAG-KIT	<b>A</b>

SCALE: NONE | CAD FILE: CAU2A-3IN1MAG-KIT.SLDDRW | SHEET 1 OF 1