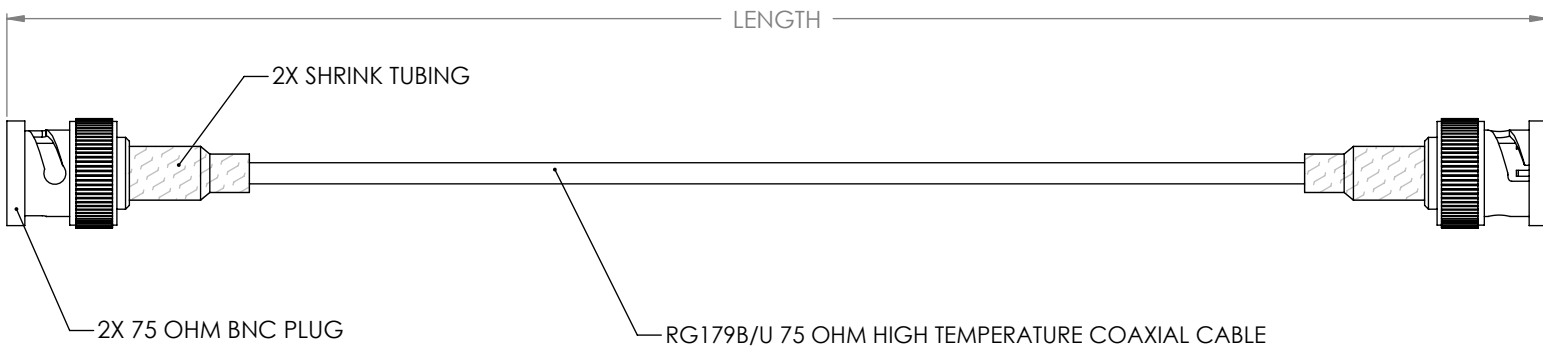


THE INFORMATION CONTAINED IN THIS DRAWING IS THE SOLE PROPERTY OF L-COM, INC. ANY REPRODUCTION IN PART OR WHOLE WITHOUT THE WRITTEN PERMISSION OF L-COM, INC. IS PROHIBITED.

REVISIONS			
REV	DESCRIPTION	DATE	APPROVED
A	INITIAL RELEASE	01/13/04	MCCORMICK
B	ECN#2087: ADDING OHM VALUE	05/24/05	M.LAHEY
C	ECN 3207: UPDATE DWG FORMAT	3/4/08	D.GRIFFIN



PART NUMBER	LENGTH	
	FEET	METERS
CC179B-1	1.0	0.30
CC179B-1.5	1.5	0.46
CC179B-2	2.0	0.61
CC179B-2.5	2.5	0.76
CC179B-5	5.0	1.52
CC179B-7.5	7.5	2.29
CC179B-10	10.0	3.05
CC179B-15	15.0	4.57

PACKAGING:
INDIVIDUALLY PACKAGE IN A POLYBAG

RoHS Compliant ✓

UNLESS OTHERWISE SPECIFIED, DIMENSIONS ARE IN INCHES [mm] OVERALL CABLE LENGTH TOLERANCE: ≤ 12 [305] = ± 1 [25] / -0 > 12 [305] - 60 [1524] = ± 2 [51] / -0 > 60 [1524] - 120 [3048] = ± 4 [102] / -0 > 120 [3048] - 300 [7620] = ± 6 [152] / -0 > 300 [7620] = $\pm 5\%$ / -0% ALL OTHER DIMENSIONAL TOLERANCES: .X = .3 .XX = .15	APPROVALS DRAWN BY C.MCCORMICK	DATE 01/08/2004		45 BEECHWOOD DRIVE NORTH ANDOVER, MA 01845		
	CHECKED BY D.PARHAM	01/08/2004		CATEGORY COAXIAL		
	APPROVED BY R.CARRICK	01/08/2004	PRODUCT DESCRIPTION BNC TO BNC RG179B CABLE ASSEMBLY			
	PROJECTION 	CONFIGURATION DETAILS OF UNDIMENSIONED FEATURES MAY VARY	COLOR VARIATIONS MAY OCCUR	SIZE A	FSCM NO. 43321	DWG. NO. CC179B
SCALE: NONE CAD FILE: CC179B.SLDDRW			SHEET 1 OF 1			