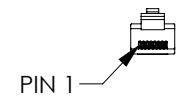
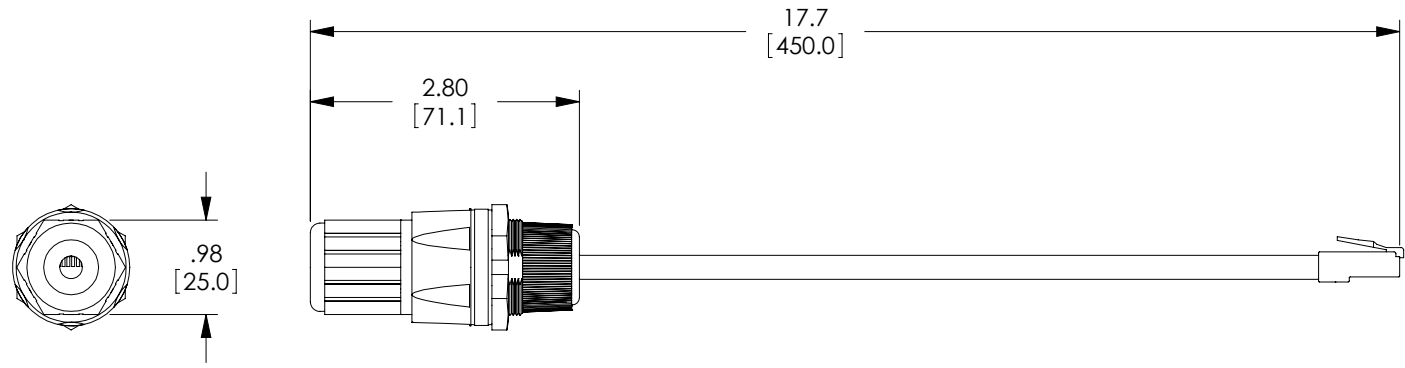
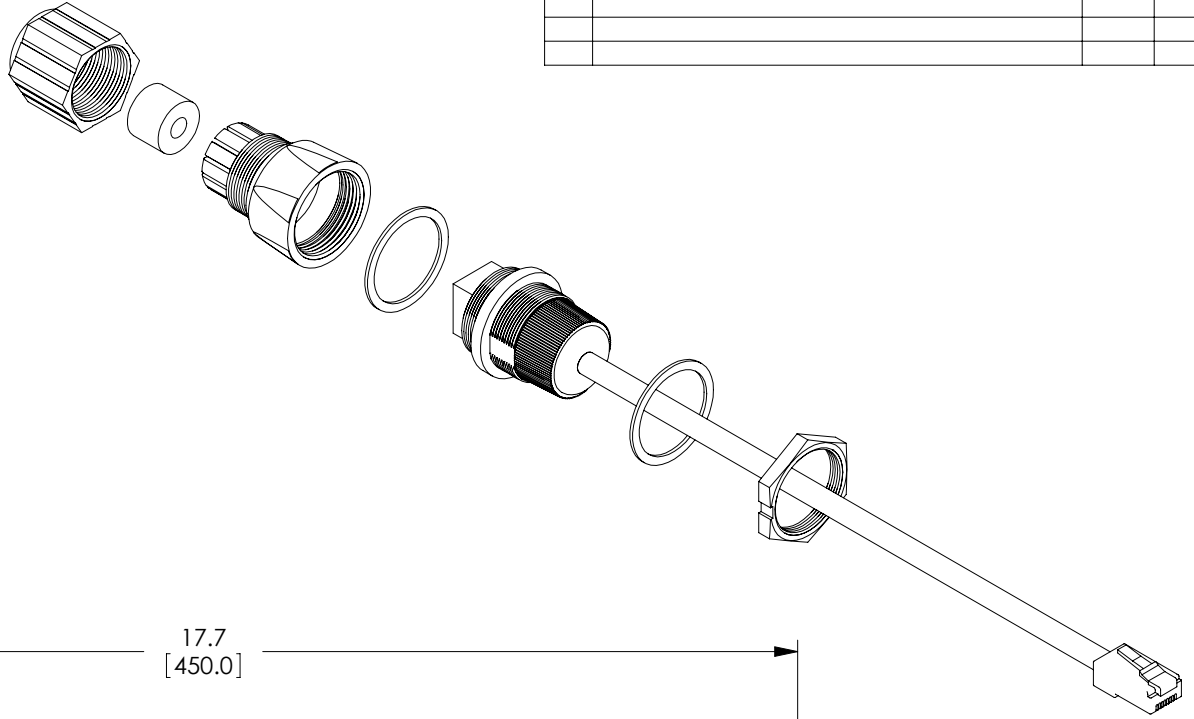
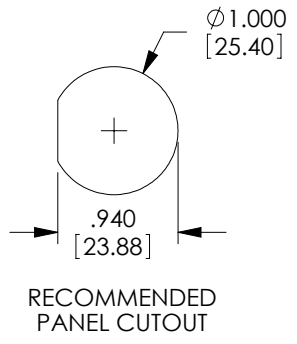


THE INFORMATION CONTAINED IN THIS DRAWING IS THE SOLE PROPERTY OF L-COM, INC. ANY REPRODUCTION IN PART OR WHOLE WITHOUT THE WRITTEN PERMISSION OF L-COM, INC. IS PROHIBITED.

| REVISIONS |                 |         |           |
|-----------|-----------------|---------|-----------|
| REV       | DESCRIPTION     | DATE    | APPROVED  |
| A         | INITIAL RELEASE | 6/11/10 | D.GRIFFIN |
|           |                 |         |           |
|           |                 |         |           |



**RoHS Compliant** ✓

NOTES:  
 ALL DIMENSIONS ARE FOR REFERENCE ONLY.  
 COMPONENT SHALL BE INDIVIDUALLY PACKAGED IN ACCORDANCE WITH L-COM SPECIFICATION PS-0031.

|   |  |                          |  |
|---|--|--------------------------|--|
| UNLESS OTHERWISE SPECIFIED,<br>DIMENSIONS ARE IN INCHES [mm]<br>OVERALL CABLE LENGTH TOLERANCE:<br>≤12 [305] = +1 [25] / -0<br>>12 [305] ≤60 [1524] = +2 [51] / -0<br>>60 [1524] ≤120 [3048] = +4 [102] / -0<br>>120 [3048] ≤300 [7620] = +6 [152] / -0<br>>300 [7620] = +3% / -0%<br>ALL OTHER DIMENSIONAL TOLERANCES:<br>.X = ±.2<br>.XX = ±.02<br>.XXX = ±.005 | APPROVALS<br>DRAWN BY<br>D.FRISIELLO                           | DATE<br>5/28/10          | 45 BEECHWOOD DRIVE<br>NORTH ANDOVER, MA<br>01845   |
|   | CHECKED BY<br>J.RUST   | DATE<br>5/28/10          |  |
| PROJECTION<br>  | CONFIGURATION DETAILS OF<br>UNDIMENSIONED FEATURES<br>MAY VARY | APPROVED BY<br>P.McNEIL  | PRODUCT DESCRIPTION<br>IP67 RJ45 CBL GLAND W/CABLE |
| COLOR VARIATIONS<br>MAY OCCUR   | SIZE<br><b>A</b>   | FSCM NO.<br><b>43321</b> | DWG. NO.<br><b>CG-CRJ</b>                          |
| SCALE: NONE   | CAD FILE: CG-CRJ.SLDDRW  | SHEET 1 OF 1             |  |