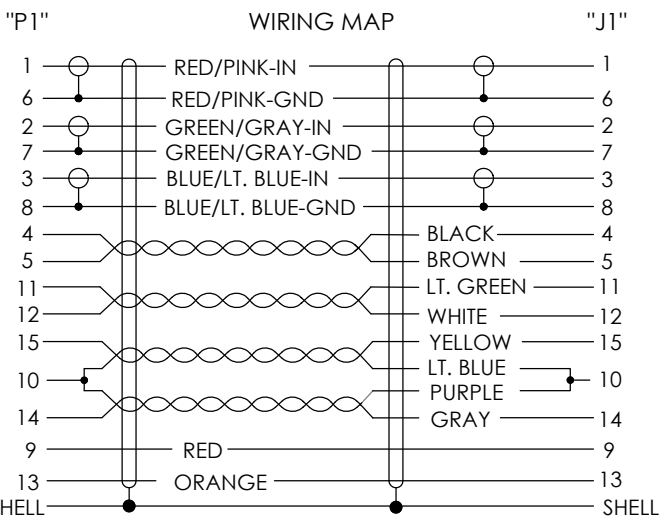
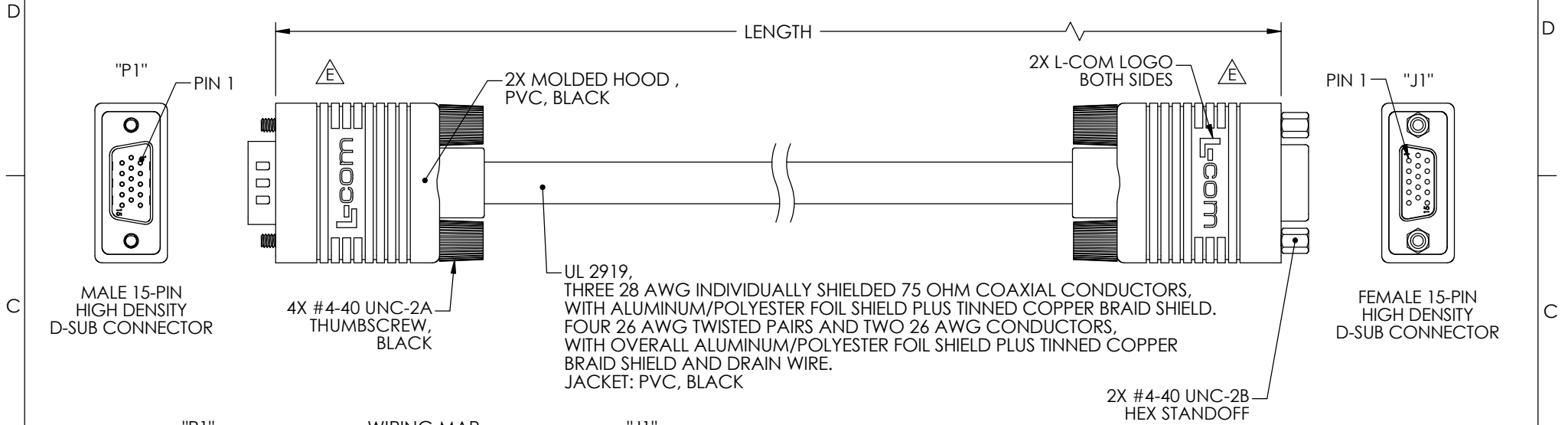


THE INFORMATION CONTAINED IN THIS DRAWING IS THE SOLE PROPERTY OF L-COM, INC. ANY REPRODUCTION IN PART OR WHOLE WITHOUT THE WRITTEN PERMISSION OF L-COM, INC. IS PROHIBITED.

REVISIONS			
REV	DESCRIPTION	DATE	APPROVED
E	ECN 6910: UPDATED FORMAT, PACKAGING, LOGOS, AND ROHS	6/18/13	D. DESJARDIN



MODEL NUMBER	LENGTH	
	FEET	METERS
CGSVGAMF-3	3.0	.91
CGSVGAMF-5	5.0	1.52
CGSVGAMF-10	10.0	3.05
CGSVGAMF-20	20.0	6.10
CGSVGAMF-25	25.0	7.62
CGSVGAMF-50	50.0	15.24

- NOTES:**
- CABLE ASSEMBLY SHALL BE TESTED FOR CONTINUITY.
  - CABLE ASSEMBLY SHALL BE INDIVIDUALLY PACKAGED IN ACCORDANCE WITH L-COM SPECIFICATION PS-0031.

**REGULATORY COMPLIANCE:**  
ROHS, CE

UNLESS OTHERWISE SPECIFIED, DIMENSIONS ARE IN INCHES [mm] OVERALL CABLE LENGTH TOLERANCE: ≤12 [305] = +1 [25] / -0 >12 [305] ≤60 [1524] = +2 [51] / -0 >60 [1524] ≤120 [3048] = +4 [102] / -0 >120 [3048] ≤300 [7620] = +6 [152] / -0 >300 [7620] = +5% / -0%	APPROVALS	DATE		45 BEECHWOOD DRIVE NORTH ANDOVER, MA 01845
	DRAWN BY D.CASTRO	3/7/08		
ALL OTHER DIMENSIONAL TOLERANCES: .X = ± .2 [5.08] .XX = ± .02 [1.51] .XXX = ±.005 [1.13]	CHECKED BY J.RUST	3/7/08	PRODUCT DESCRIPTION	
PROJECTION 	APPROVED BY G.PEPIN	3/8/08	SVGA HD15 M/HD15 F	
	CONFIGURATION DETAILS OF UNDIMENSIONED FEATURES MAY VARY		SIZE <b>A</b>	FSCM NO. <b>43321</b>
	COLOR VARIATIONS MAY OCCUR		DWG. NO. CGSVGAMF	REV. <b>E</b>
			SCALE: NONE	CAD FILE: CGSVGAMF.SLDDRW
			SHEET 1 OF 1	