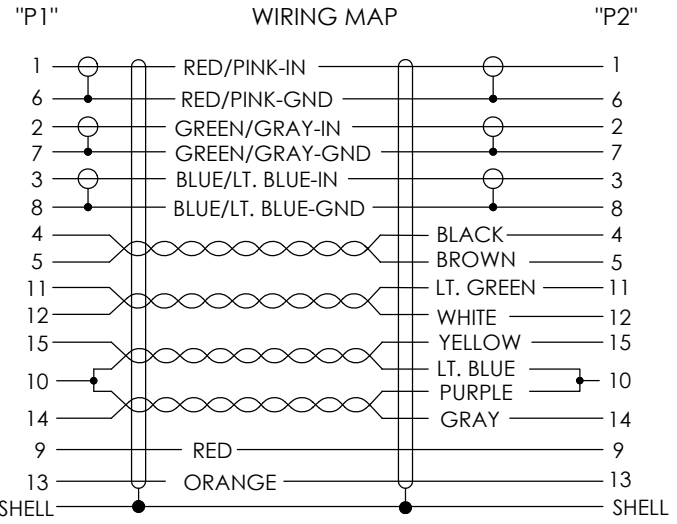
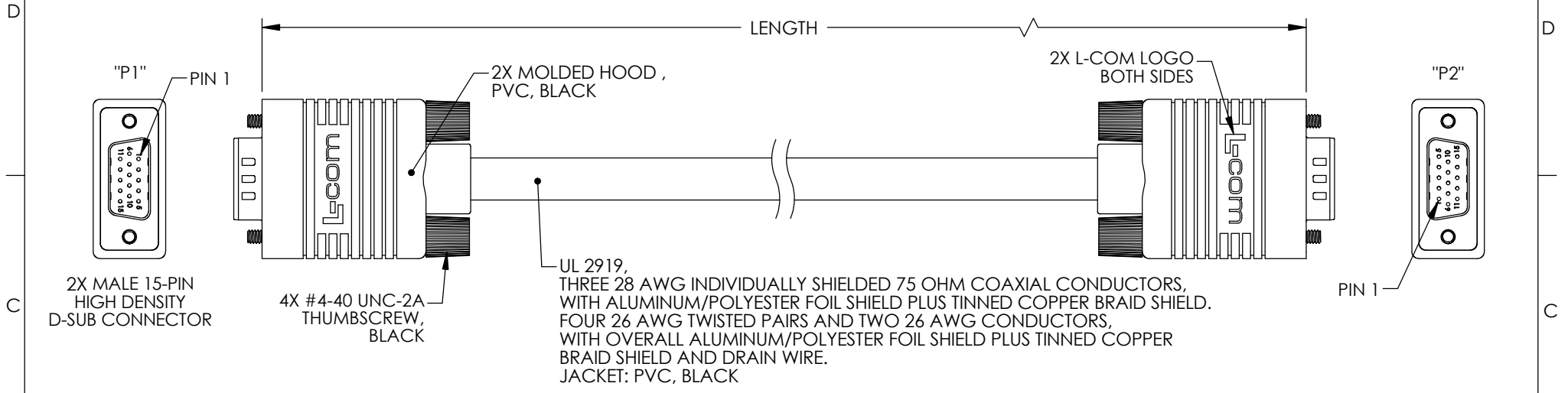


8 7 6 5 4 3 2 1

THE INFORMATION CONTAINED IN THIS DRAWING IS THE SOLE PROPERTY OF L-COM, INC. ANY REPRODUCTION IN PART OR WHOLE WITHOUT THE WRITTEN PERMISSION OF L-COM, INC. IS PROHIBITED.

REVISIONS			
REV	DESCRIPTION	DATE	APPROVED
E	ECN 6910: UPDATED FORMAT, PACKAGING, LOGOS, AND ROHS	6/19/13	D_DESJARDIN
F	ECN 8679: ADDED "CGSVGAMM-1" AND UPDATED TITLE BLOCK	03/20/17	J.LABOY



MODEL NUMBER	LENGTH	
	FEET	METERS
CGSVGAMM-1	1.0	.30
CGSVGAMM-3	3.0	.91
CGSVGAMM-5	5.0	1.52
CGSVGAMM-10	10.0	3.05
CGSVGAMM-20	20.0	6.10
CGSVGAMM-25	25.0	7.62
CGSVGAMM-50	50.0	15.24

- NOTES:**
1. CABLE ASSEMBLY SHALL BE TESTED FOR CONTINUITY.
 2. CABLE ASSEMBLY SHALL BE INDIVIDUALLY PACKAGED IN ACCORDANCE WITH L-COM SPECIFICATION PS-0031.

REGULATORY COMPLIANCE:
ROHS, CE

UNLESS OTHERWISE SPECIFIED, DIMENSIONS ARE IN INCHES [mm] OVERALL CABLE LENGTH TOLERANCE: ≤12 [305] = +1 [25] / -0 >12 [305] ≤60 [1524] = +2 [51] / -0 >60 [1524] ≤120 [3048] = +4 [102] / -0 >120 [3048] ≤300 [7620] = +6 [152] / -0 >300 [7620] = +5% / -0%	APPROVALS	DATE		50 HIGH STREET NORTH ANDOVER, MA 01845
	DRAWN BY D.CASTRO	3/6/08		CATEGORY AUDIO/VIDEO
ALL OTHER DIMENSIONAL TOLERANCES: .X = ± .2 [5.08] .XX = ± .02 [1.51] .XXX = ± .005 [1.13]	CHECKED BY J.RUST	3/7/08	PRODUCT DESCRIPTION SVGA HD15 M/HD15 M	
PROJECTION 	APPROVED BY G.PEPIN	3/7/08	CONFIGURATION DETAILS OF UNDIMENSIONED FEATURES MAY VARY	
	COLOR VARIATIONS MAY OCCUR		SIZE A	FSCM NO. 43321
			DWG. NO. CGSVGAMM	REV. F
			SCALE: NONE	CAD FILE: CGSVGAMM.SLDDRW
				SHEET 1 OF 1