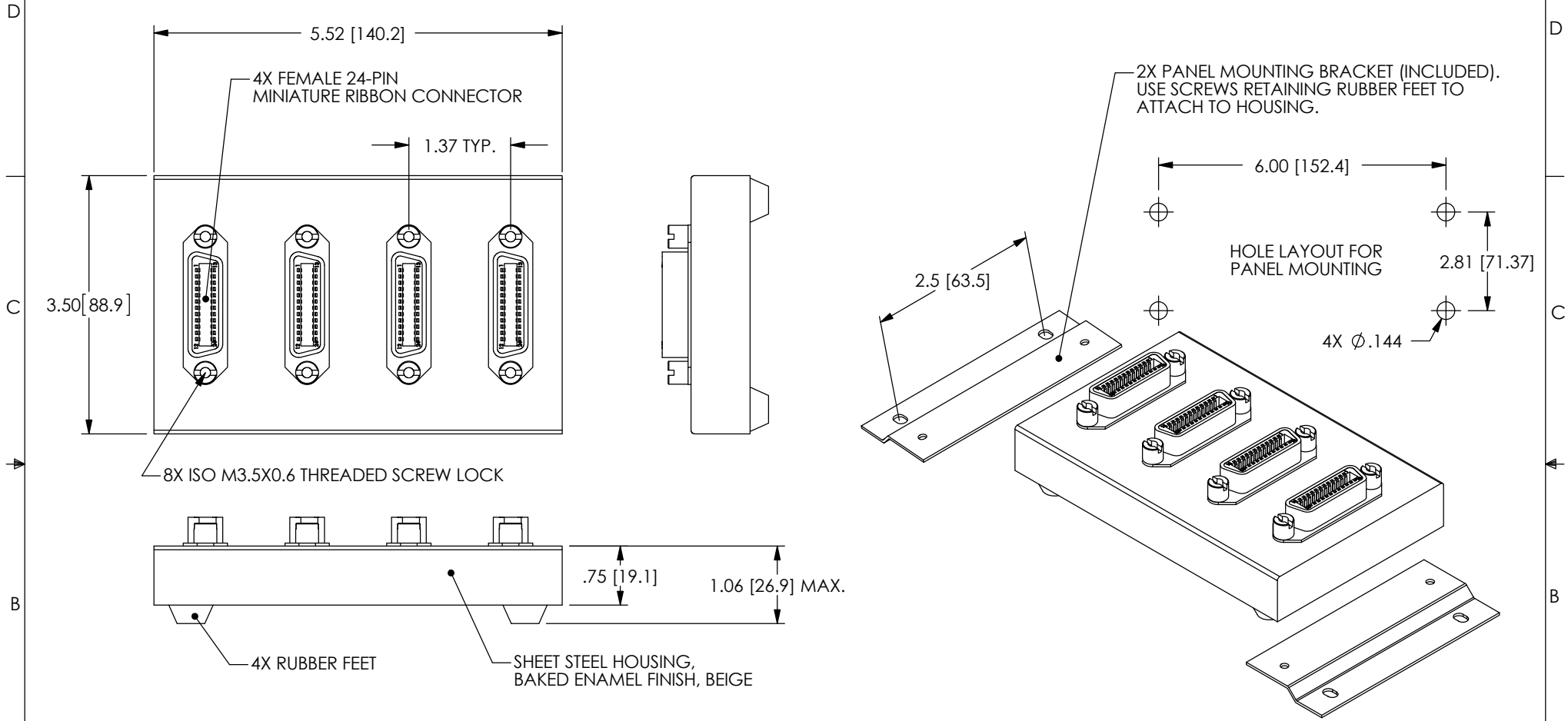


THE INFORMATION CONTAINED IN THIS DRAWING IS THE SOLE PROPERTY OF L-COM, INC. ANY REPRODUCTION IN PART OR WHOLE WITHOUT THE WRITTEN PERMISSION OF L-COM, INC. IS PROHIBITED.

REVISIONS			
REV	DESCRIPTION	DATE	APPROVED
A	RELEASED FOR PRODUCTION	10/19/01	TJC
B	ECN 3322: UPDATE DWG FORMAT	5/13/08	D.GRIFFIN
C	ECN 6738: REMOVE ROHS STAMP. NEW FORMAT, PACKAGING	3/18/13	D.FRISIELLO



NOTES:

CONNECTORS MOUNTED ON PRINTED CIRCUIT BOARD. TRACES CONNECT ALL LIKE-NUMBERED PINS ON ALL CONNECTORS.

200 MA. MAXIMUM CURRENT THROUGH ANY PIN.



COMPONENT SHALL BE INDIVIDUALLY PACKAGE IN ACCORDANCE WITH L-COM SPECIFICATION PS-0031.



UNLESS OTHERWISE SPECIFIED, DIMENSIONS ARE IN INCHES [mm] OVERALL CABLE LENGTH TOLERANCE: ≤12 [305] = +1 [25] / -0 >12 [305] ≤60 [1524] = +2 [51] / -0 >60 [1524] ≤120 [3048] = +4 [102] / -0 >120 [3048] ≤300 [7620] = +6 [152] / -0 >300 [7620] = +3% / -0%	APPROVALS	DATE		45 BEECHWOOD DRIVE NORTH ANDOVER, MA 01845
	DRAWN BY T CLARK	10/15/2001		
ALL OTHER DIMENSIONAL TOLERANCES: .X = ±.2 .XX = ±.02 .XXX = ±.005	CHECKED BY D PARHAM	10/16/2001	CATEGORY	
	APPROVED BY C MCCORMICK	10/19/2001	IEEE-488 GPIB	
PROJECTION 	CONFIGURATION DETAILS OF UNDIMENSIONED FEATURES MAY VARY		PRODUCT DESCRIPTION	
COLOR VARIATIONS MAY OCCUR	SIZE A	FSCM NO. 43321	DWG. NO. CIB24MT	REV. C
SCALE: NONE		CAD FILE: CIB24MT.SLDDRW		SHEET 1 OF 1