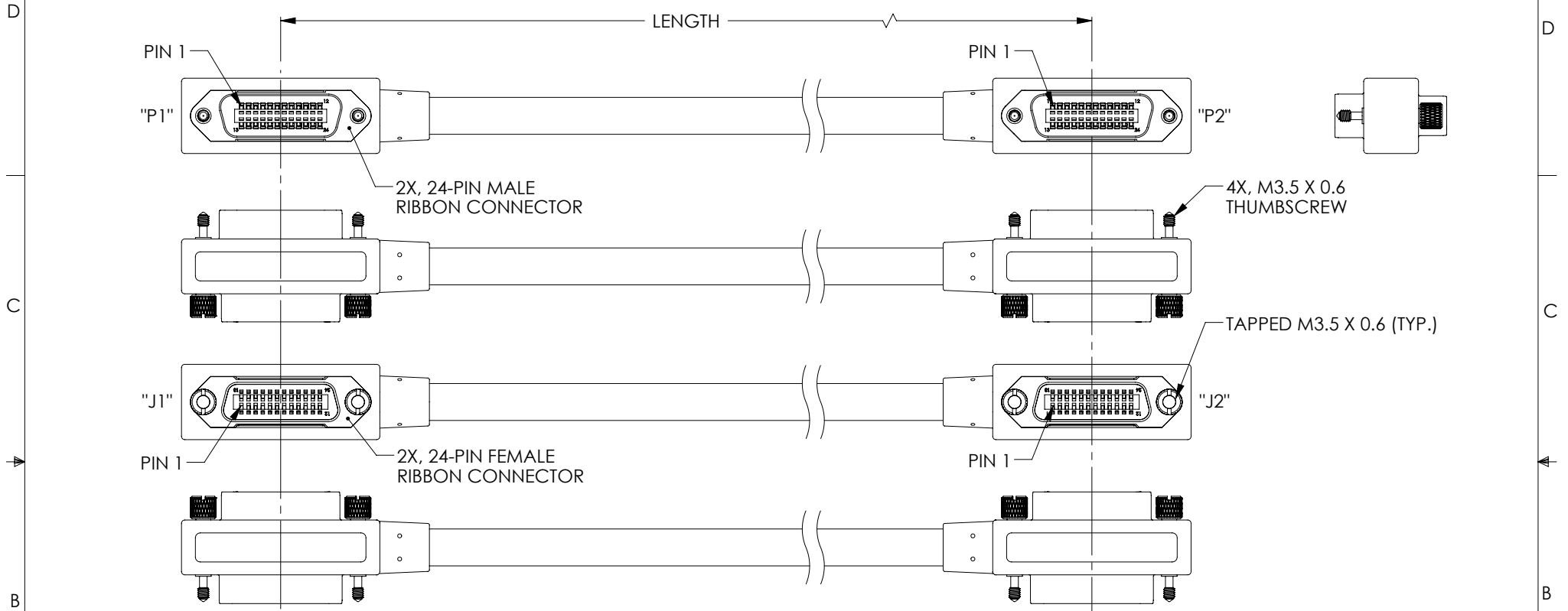


THE INFORMATION CONTAINED IN THIS DRAWING IS THE SOLE PROPERTY OF L-COM, INC. ANY REPRODUCTION IN PART OR WHOLE WITHOUT THE WRITTEN PERMISSION OF L-COM, INC. IS PROHIBITED.

REVISIONS			
REV	DESCRIPTION	DATE	APPROVED
E	ECN 8117: CORRECTED FUNCTION NAMES IN WIRE MAP.	10/01/2015	Admin
F	ECN 9526: REVISE DESCRIPTION FEMALE TO MALE IN ZONE C6. UPT MODEL	11/19/2018	BGATES
G	ECN 10639: REMOVED RoHS STATEMENT	08/22/2020	PNEWTON



NOTES:
MEETS REQUIREMENTS OF ANSI/IEEE STD 488.1-1987.


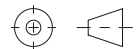
MATERIALS:
CABLE: U.L. STYLE 2464, TWELVE TWISTED PAIRS 26AWG STRANDED COPPER, OVERALL DOUBLE SHIELD ALUMINIZED POLYESTER FOIL PLUS BRAIDED TINNED COPPER WITH DRAIN WIRE, BEIGE PVC JACKET.

MOLDINGS: POLYVINYLCHLORIDE, BEIGE
CONNECTOR INSULATORS: GLASS-FILLED PBT (BLUE), UL94V-0
CONNECTOR CONTACTS: COPPER ALLOY, 30 MICROINCHES GOLD OVER NICKEL
CONNECTOR SHELL: STAMPED STEEL OR DIE-CAST ALLOY, NICKEL PLATED
THUMBSCREWS: ISO M3.5 X 0.6, STEEL, BLACK OXIDE FINISH

ENVIRONMENTAL:
OPERATING TEMPERATURE RANGE: -20°C TO + 80°C

MISCELLANEOUS:
SEE SHEET 2 FOR WIRE MAP
CABLE ASSEMBLY SHALL BE TESTED FOR CONTINUITY.
CABLE ASSEMBLY SHALL BE INDIVIDUALLY PACKAGED IN ACCORDANCE WITH L-COM SPECIFICATION PS-0031.

PART NUMBER	LENGTH METERS [FEET]
CIMB24-03M	0.3 [0.98]
CIMB24-05M	0.5 [1.64]
CIMB24-1M	1.0 [3.28]


UNLESS OTHERWISE SPECIFIED, DIMENSIONS ARE IN INCHES [mm]	APPROVALS	DATE	 an INFINITO® brand	50 High Street, West Mill, North Andover, MA 01845 USA. Phone: 1.800.341.5266 1.978.682.6936
	OVERALL CABLE LENGTH TOLERANCE: ≤12 [305] = +1 [25] / -0 >12 [305] ≤60 [1524] = +2 [51] / -0 >60 [1524] ≤120 [3048] = +4 [102] / -0 >120 [3048] ≤300 [7620] = +6 [152] / -0 >300 [7620] = +5% / -0	DRAWN BY T.CLARK 08/25/2001		
ALL OTHER DIMENSIONAL TOLERANCES: .X = ± .2 [5] FRACTIONS ± 1/32 .XX = ± .02 [5] ANGLES ± 1° .XXX = ± .005 [13]	CONFIGURATION DETAILS OF UNDIMENSIONED FEATURES MAY VARY		PRODUCT DESCRIPTION CABLE, MOLD GPIB N/REV	
THIRD-ANGLE PROJECTION 	COLOR VARIATIONS MAY OCCUR	SIZE A	CAGE CODE 43321	ITEM NO. CIMB24
		SCALE: NONE	CAD FILE: CIMB24.SLDDRW	SHEET 1 OF 2



T-Rev.D

THE INFORMATION CONTAINED IN THIS DRAWING IS THE SOLE PROPERTY OF L-COM, INC. ANY REPRODUCTION IN PART OR WHOLE WITHOUT THE WRITTEN PERMISSION OF L-COM, INC. IS PROHIBITED.

WIRING MAP			
PAIR NUMBER	J1/P1	J2/P2	FUNCTION
1	1	1	DATA LINE DIO1
	14	14	DATA LINE DIO6
2	2	2	DATA LINE DIO2
	3	3	DATA LINE DIO3
3	4	4	DATA LINE DIO4
	13	13	DATA LINE DIO5
4	15	15	DATA LINE DIO7
	16	16	DATA LINE DIO8
5	5	5	EOI
	24	24	EOI RETURN
6	6	6	DAV
	18	18	DAV RETURN
7	7	7	NRFD
	19	19	NRDF RETURN
8	8	8	NDAC
	20	20	NDAC RETURN
9	9	9	IFC
	21	21	IFC RETURN
10	10	10	SRQ
	22	22	SRQ RETURN
11	11	11	ATN
	23	23	ATN RETURN
12	17	17	REN
	24	24	REN RETURN
DRAIN WIRE	12 & SHELL	12 & SHELL	SHIELD

		50 High Street, West Mill, North Andover, MA 01845 USA. Phone: 1.800.341.5266 1.978.682.6936	
CATEGORY <p style="text-align: center;">IEEE-488</p>			
PRODUCT DESCRIPTION <p style="text-align: center;">CABLE, MOLD GPIB N/REV</p>			
SIZE A	CAGE CODE 43321	ITEM NO. CIMB24	REV. G
SCALE: NONE		CAD FILE: CIMB24.SLDDRW	
			SHEET 2 OF 2