

THE INFORMATION CONTAINED IN THIS DRAWING IS THE SOLE PROPERTY OF L-COM, INC. ANY REPRODUCTION IN PART OR WHOLE WITHOUT THE WRITTEN PERMISSION OF L-COM, INC. IS PROHIBITED.

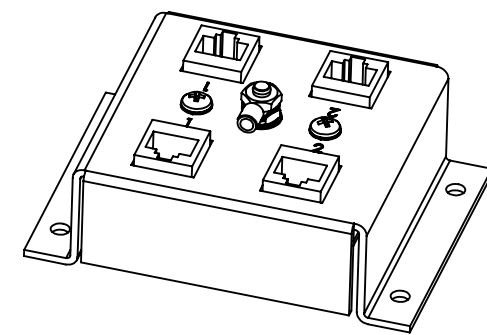
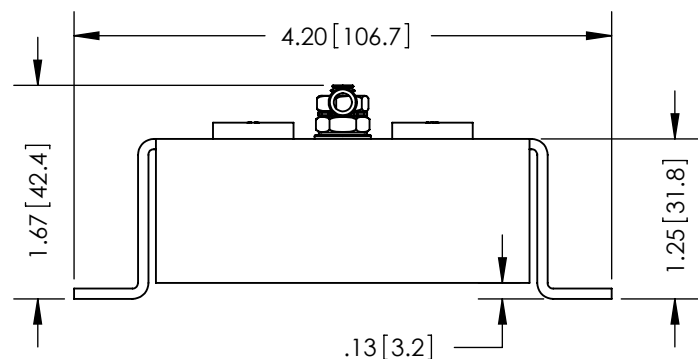
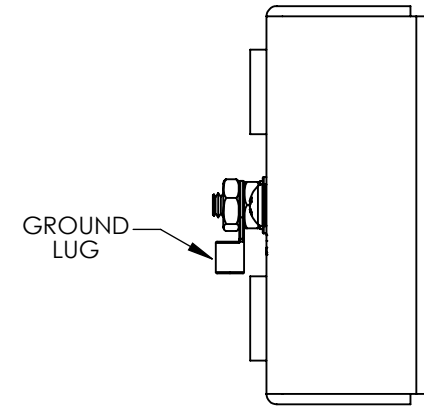
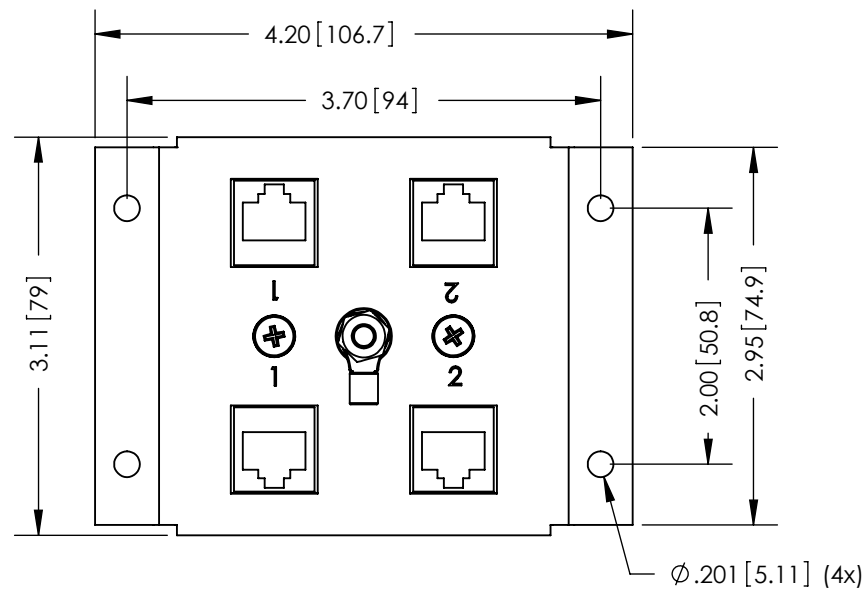
REVISIONS			
REV	DESCRIPTION	DATE	APPROVED
A	INITIAL RELEASE	11/19/13	D.GRIFFIN

D

C

B

A



NOTE:
 1- COMPONENTS SHALL BE INDIVIDUALLY PACKAGED IN ACCORDANCE WITH L-COM SPECIFICATION PKG-00012
 - ALL DIMENSIONS ARE FOR REFERENCE ONLY -

REGULATORY COMPLIANCE:
 CE2011/65/EU (RoHS DIRECTIVE)

UNLESS OTHERWISE SPECIFIED, DIMENSIONS ARE IN INCHES [mm] DIMENSIONAL TOLERANCES: .X = ±.1 [2.54] .XX = ±.01 [.25] .XXX = ±.005 [.13] ANGULAR TOLERANCES: ALL = ± 1° PROJECTION	APPROVALS DRAWN BY B.PUCHASKI CHECKED BY K.BURGNER APPROVED BY P.PESA	DATE 11/15/13 11/15/13 11/15/13	 45 BEECHWOOD DRIVE NORTH ANDOVER, MA 01845
	CONFIGURATION DETAILS OF UNDIMENSIONED FEATURES MAY VARY		CATEGORY LIGHTNING PROTECTOR
	COLOR VARIATIONS MAY OCCUR		PRODUCT DESCRIPTION 2-PORT CAT5 INDOOR LIGHTNING PROTECTOR
	SIZE A	FSCM NO. 43321	DWG. NO. C MSP-CAT5-2
SCALE: NONE		CAD FILE: C MSP-CAT5-2.SLDDRW	
SHEET 1 OF 1			SHEET 1 OF 1