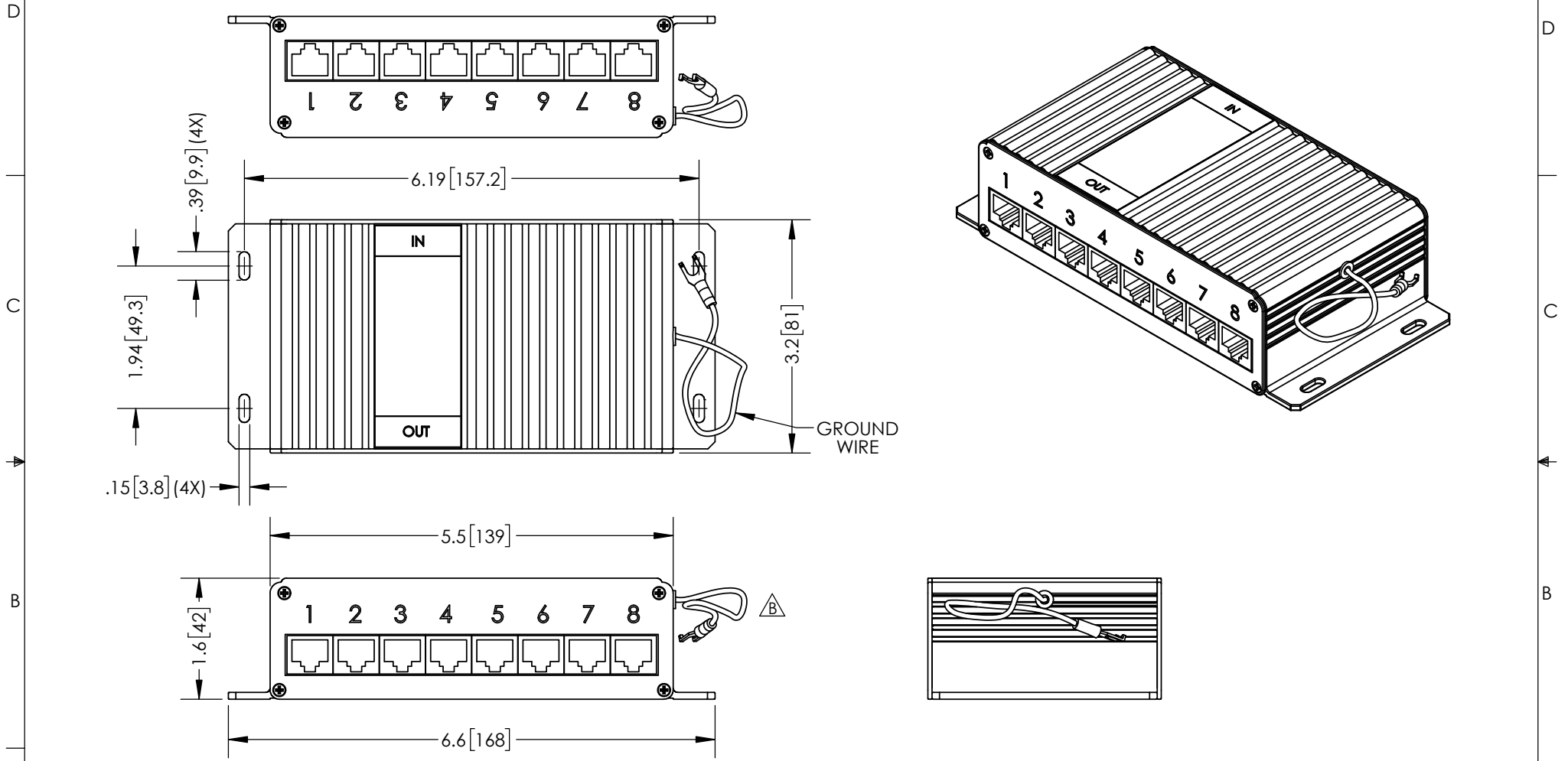


THE INFORMATION CONTAINED IN THIS DRAWING IS THE SOLE PROPERTY OF L-COM, INC. ANY REPRODUCTION IN PART OR WHOLE WITHOUT THE WRITTEN PERMISSION OF L-COM, INC. IS PROHIBITED.

REVISIONS			
REV	DESCRIPTION	DATE	APPROVED
A	INITIAL RELEASE	11/06/13	D.GRIFFIN
B	ECN 9233 MOVED HOLE IN BODY FOR GROUND WIRE UP .390	06/06/18	B.PUCHASKI



**NOTES:**  
**PACKAGING:**  
 COMPONENT SHALL BE PACKAGED IN ACCORDANCE WITH L-COM SPEC PKG-00012

- ALL DIMENSIONS FOR REFERENCE ONLY -

**REGULATORY COMPLIANCE:**  
 CE2011/65/EU(RoHS DIRECTIVE)

UNLESS OTHERWISE SPECIFIED, DIMENSIONS ARE IN INCHES [mm] OVERALL CABLE LENGTH TOLERANCE: ≤12 [305] = +1 [25] / -0 >12 [305] ≤60 [1524] = +2 [51] / -0 >60 [1524] ≤120 [3048] = +4 [102] / -0 >120 [3048] ≤300 [7620] = +6 [152] / -0 >300 [7620] = +5% / -0% ALL OTHER DIMENSIONAL TOLERANCES: .X = ± .2 [5.08] .XX = ± .02 [1.51] .XXX = ±.005 [1.13]	APPROVALS	DATE		50 HIGH STREET NORTH ANDOVER, MA 01845
	DRAWN BY B.PUCHASKI	11/06/13		CATEGORY
PROJECTION 	CHECKED BY K.BURGNER	11/06/13	PRODUCT DESCRIPTION	
	APPROVED BY P.PESA	11/06/13	8 PORT CAT5 LIGHTNING PROTECTOR INDOR RJ45	
COLOR VARIATIONS MAY OCCUR 	CONFIGURATION DETAILS OF UNDIMENSIONED FEATURES MAY VARY	SIZE <b>A</b>	FSCM NO. <b>43321</b>	DWG. NO. <b>CMSP-CAT5-8</b>
SCALE: NONE		CAD FILE: CMSP-CAT5-8.SLDDRW		REV. <b>B</b>
SHEET 1 OF 1				