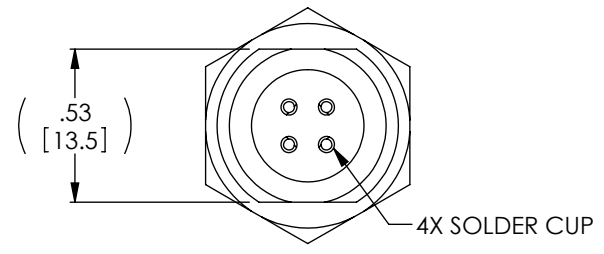
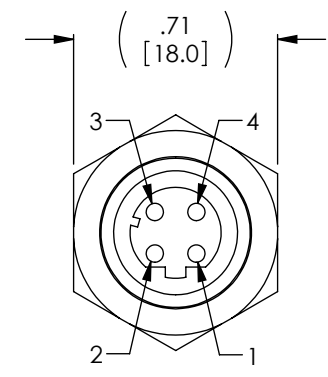
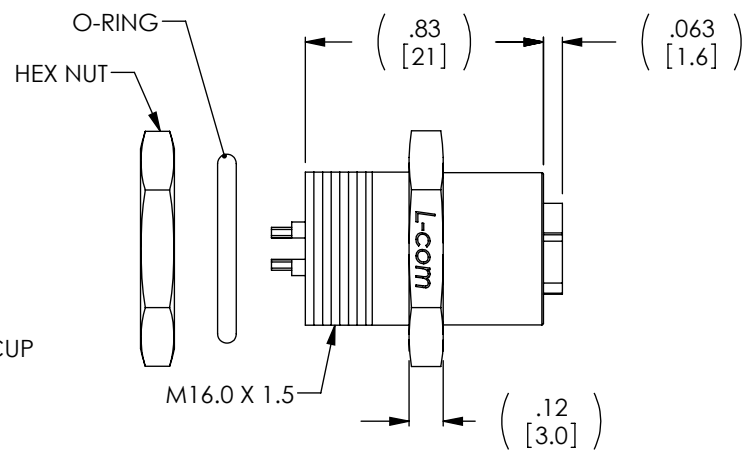
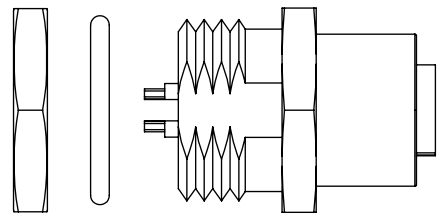
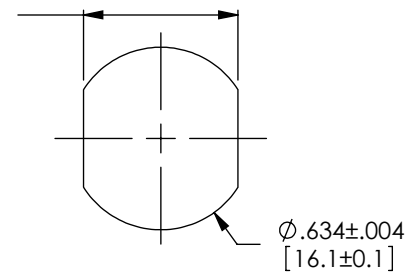


THE INFORMATION CONTAINED IN THIS DRAWING IS THE SOLE PROPERTY OF L-COM, INC. ANY REPRODUCTION IN PART OR WHOLE WITHOUT THE WRITTEN PERMISSION OF L-COM, INC. IS PROHIBITED.

REVISIONS			
REV	DESCRIPTION	DATE	APPROVED
A	INITIAL RELEASE	12/16/09	D.GRIFFIN



$.535^{+.004}$   
 $-.000$   
[13.6<sup>+0.1</sup>  
0.0]



RECOMMENDED  
PANEL OPENING

- NOTE:
1. WATERPROOF RATING: IP68
  2. HOUSING: NYLON + GF, BLACK
  3. MAIN HOUSING: ZINC ALLOY, NICKEL PLATED
  4. NUT: ZINC ALLOY: NICKEL PLATED
  5. O-RING: EPDM
  6. PINS: COPPER ALLOY, GOLD PLATED
  7. MAX PANEL THICKNESS: .177 [4.5]
  8. RECOMMENDED NUT TORQUE: 3.50 - 5.2 lbf in [4-6 kgf.cm]
  9. CONNECTORS INDIVIDUALLY PACKAGED IN A POLYBAG.

UNLESS OTHERWISE SPECIFIED, DIMENSIONS ARE IN INCHES [mm] OVERALL CABLE LENGTH TOLERANCE: ≤12 [305] = +1 [25] / -0 >12 [305] ≤60 [1524] = +2 [51] / -0 >60 [1524] ≤120 [3048] = +4 [102] / -0 >120 [3048] ≤300 [7620] = +6 [152] / -0 >300 [7620] = +3% / -0% ALL OTHER DIMENSIONAL TOLERANCES: .X = ±.2 .XX = ±.02 .XXX = ±.005	APPROVALS DRAWN BY D. PARHAM CHECKED BY J. RUST APPROVED BY P. MCNEIL	DATE 11/24/2009 12/08/2009 12/08/2009	45 BEECHWOOD DRIVE NORTH ANDOVER, MA 01845			
	CATEGORY TELECOM / MODULAR			PRODUCT DESCRIPTION M12 4 PIN PNL MNT FEMALE		
PROJECTION 	CONFIGURATION DETAILS OF UNDIMENSIONED FEATURES MAY VARY	COLOR VARIATIONS MAY OCCUR	SIZE <b>A</b>		FSCM NO. <b>43321</b>	DWG. NO. CON-M124PF
SCALE: NONE			CAD FILE: CON-M124PF.SLDDRW	SHEET 1 OF 1		