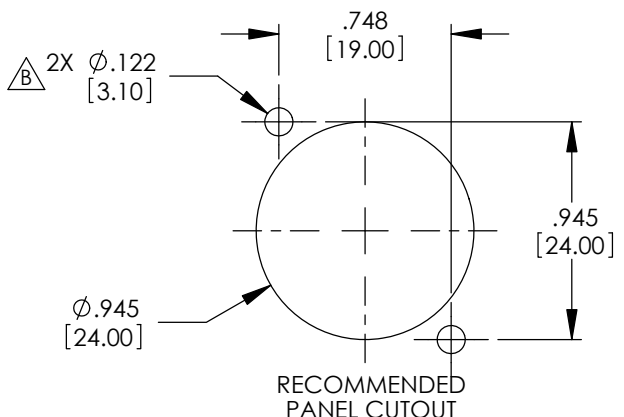
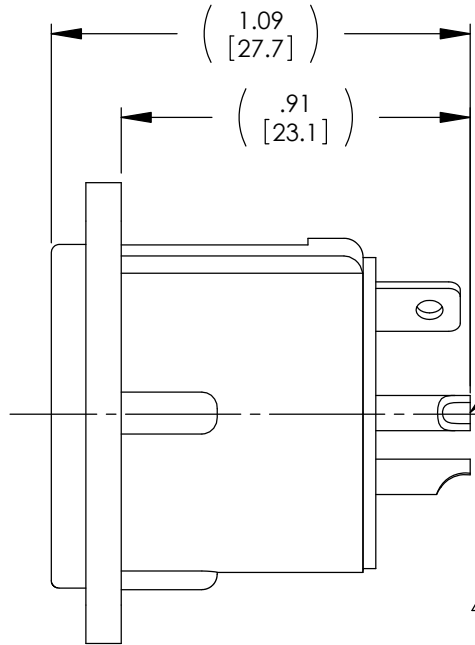
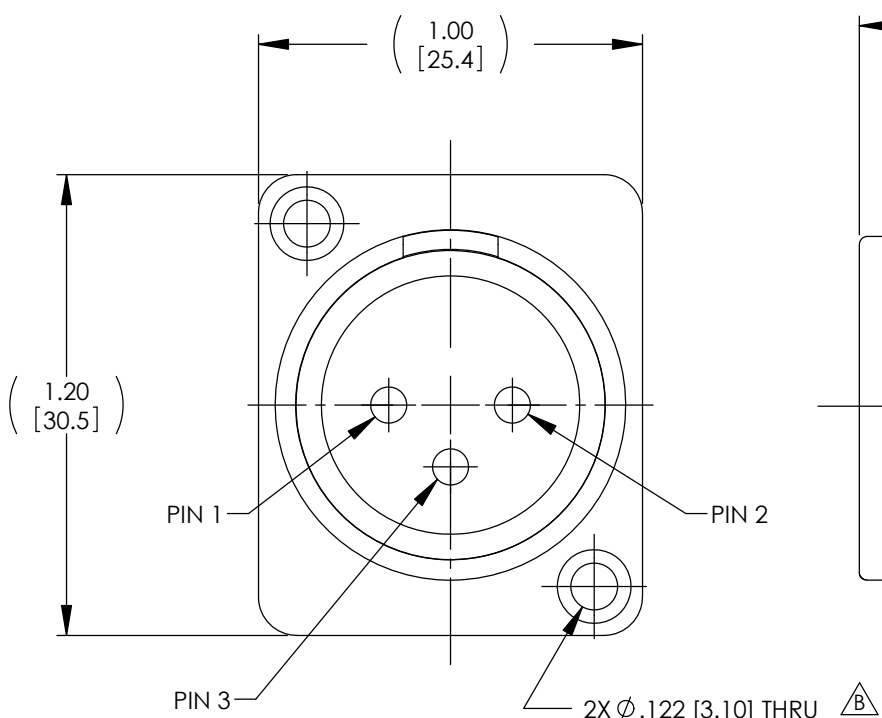


THE INFORMATION CONTAINED IN THIS DRAWING IS THE SOLE PROPERTY OF L-COM, INC. ANY REPRODUCTION IN PART OR WHOLE WITHOUT THE WRITTEN PERMISSION OF L-COM, INC. IS PROHIBITED.

REVISIONS			
REV	DESCRIPTION	DATE	APPROVED
A	INITIAL RELEASE	02/05/10	D.GRIFFIN
B	ECN 6652: CHANGED MOUNTING HOLE FROM .138" TO .122". UPD PACK.	2/1/13	D. DESJARDIN



NOTES:

MATERIAL:
 BODY: ZINC ALLOY DIE CASTING
 PINS: COPPER
 INSULATOR: PBT

FINISH:
 BODY: NICKEL PLATE
 CONTACTS: GOLD OVER NICKEL PLATE

PACKAGING:
 MOUNTING HARDWARE NOT INCLUDED.

B CONNECTOR SHALL BE INDIVIDUALLY PACKAGED IN ACCORDANCE WITH L-COM SPECIFICATION PS-0031.

UNLESS OTHERWISE SPECIFIED, DIMENSIONS ARE IN INCHES [mm] OVERALL CABLE LENGTH TOLERANCE: ≤12 [305] = +1 [25] / -0 >12 [305] ≤60 [1524] = +2 [51] / -0 >60 [1524] ≤120 [3048] = +4 [102] / -0 >120 [3048] ≤300 [7620] = +6 [152] / -0 >300 [7620] = +3% / -0%	APPROVALS	DATE		45 BEECHWOOD DRIVE NORTH ANDOVER, MA 01845
	DRAWN BY D. PARHAM	02/05/2010		CATEGORY AUDIO/VIDEO
ALL OTHER DIMENSIONAL TOLERANCES: .X = ±.2 .XX = ±.02 .XXX = ±.005	CHECKED BY D. CASTRO	02/05/2010	PRODUCT DESCRIPTION MALE 3 PIN XLR CONNECTOR	
	APPROVED BY P. McNEIL	02/05/2010	SIZE A	FSCM NO. 43321
PROJECTION 	COLOR VARIATIONS MAY OCCUR	1AA13-044	DWG. NO. CON-XLR3M	REV. B
SCALE: NONE		CAD FILE: CON-XLR3M.SLDDRW		SHEET 1 OF 1