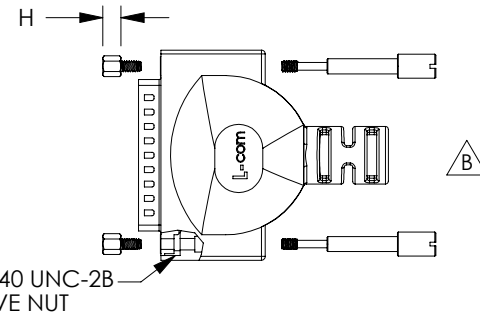
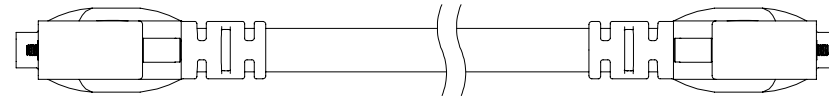
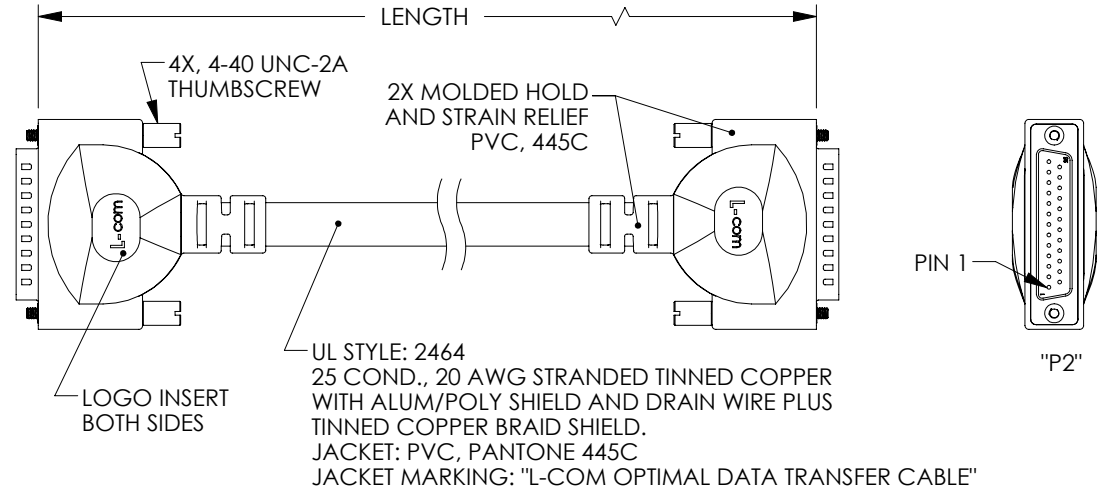
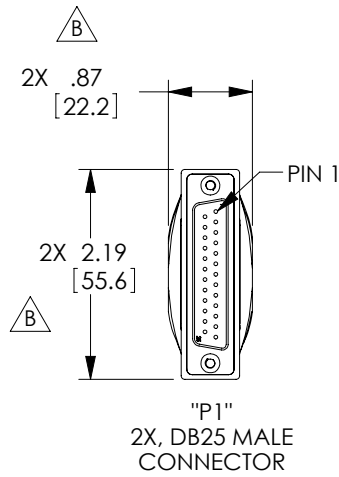


THE INFORMATION CONTAINED IN THIS DRAWING IS THE SOLE PROPERTY OF L-COM, INC. ANY REPRODUCTION IN PART OR WHOLE WITHOUT THE WRITTEN PERMISSION OF L-COM, INC. IS PROHIBITED.

RoHS Compliant ✓

REVISIONS			
REV	DESCRIPTION	DATE	APPROVED
A	INITIAL RELEASE	9/23/10	D.GRIFFIN
B	ECN 5210: ADDED WIRE MAP, HARDWARE NOTES & HOOD DIMS., DETAIL VIEW	12/15/10	D. CASTRO

WIRE MAP		
"P1"	COLOR	"P2"
1	BLACK	1
2	BROWN	2
3	RED	3
4	ORANGE	4
5	YELLOW	5
6	GREEN	6
7	BLUE	7
8	PURPLE	8
9	GRAY	9
10	WHITE	10
11	PINK	11
12	LT. GREEN	12
13	BLACK/WHITE	13
14	BROWN/WHITE	14
15	RED/WHITE	15
16	ORANGE/WHITE	16
17	GREEN/WHITE	17
18	BLUE/WHITE	18
19	PURPLE/WHITE	19
20	RED/BLACK	20
21	ORANGE/BLACK	21
22	YELLOW/BLACK	22
23	GREEN/BLACK	23
24	GRAY/BLACK	24
25	PINK/BLACK	25
SHELL	DRAIN	SHELL



MODEL NUMBER	LENGTH	
	FEET	METERS
CPMS25MM-1	1.0	.30
CPMS25MM-2.5	2.5	.76
CPMS25MM-5	5.0	1.52
CPMS25MM-10	10.0	3.05
CPMS25MM-25	25.0	7.62
CPMS25MM-50	50.0	15.24

NOTES:

SUPPLIED WITH THUMBSCREWS IN PLACE.
 NOTE: SUPPLIED WITH OPTIONAL USE HARDWARE AND INSTRUCTIONS.
 CABLE INTERCONNECTION HARDWARE: (4) SCREWLOCKS, H= .191"
 PANEL MOUNT HARDWARE: (4) SCREWLOCKS, H= .160"

CABLE ASSEMBLY SHALL BE TESTED FOR CONTINUITY.

CABLE ASSEMBLY SHALL BE INDIVIDUALLY PACKAGED IN ACCORDANCE WITH L-COM SPECIFICATION PS-0031.

UNLESS OTHERWISE SPECIFIED, DIMENSIONS ARE IN INCHES [mm] OVERALL CABLE LENGTH TOLERANCE: ≤ 12 [305] = +1 [25] / -0 >12 [305] ≤ 60 [1524] = +2 [51] / -0 >60 [1524] ≤ 120 [3048] = +4 [102] / -0 >120 [3048] ≤ 300 [7620] = +6 [152] / -0 >300 [7620] = +3% / -0% ALL OTHER DIMENSIONAL TOLERANCES: .X = ± .2 .XX = ± .02 .XXX = ± .005	APPROVALS DRAWN BY D.FRISIELLO CHECKED BY S.SMITH APPROVED BY S.SMITH	DATE 9/2/10 9/2/10 9/2/10	45 BEECHWOOD DRIVE NORTH ANDOVER, MA 01845
	CONFIGURATION DETAILS OF UNDIMENSIONED FEATURES MAY VARY	CATEGORY DATA CABLING	
PROJECTION 	COLOR VARIATIONS MAY OCCUR	SIZE A	FSCM NO. 43321 DWG. NO. CPMS25MM SCALE: NONE CAD FILE: CPMS25MM.SLDDRW
		REV. B	SHEET 1 OF 1