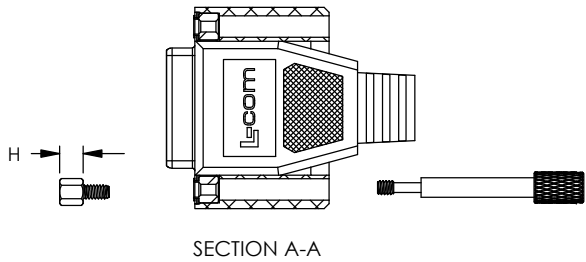
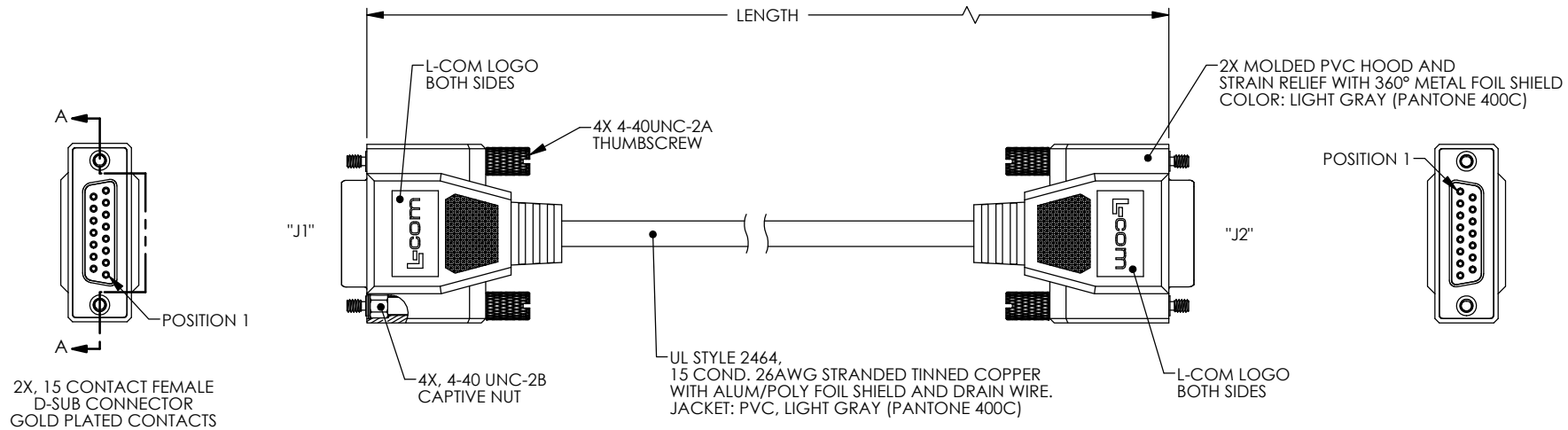


THE INFORMATION CONTAINED IN THIS DRAWING IS THE SOLE PROPERTY OF L-COM, INC. ANY REPRODUCTIONS IN PART OR WHOLE WITHOUT THE WRITTEN PERMISSION OF L-COM, INC. IS PROHIBITED.

REVISIONS			
REV	DESCRIPTION	DATE	CHANGED BY
D	ECN 6602-ADDED NOTES, REVISED FORMAT, LOGOS, COLOR	1/14/13	D.FRISIELLO
E	ECN 7241-ADDED 1 & 25 FT LENGTHS, REVISED ROHS, FORMAT	1/21/14	D.FRISIELLO



SUPPLIED WITH THUMBSCREWS IN PLACE
 NOTE: SUPPLIED WITH OPTIONAL USE HARDWARE AND INSTRUCTIONS
 CABLE INTERCONNECTION HARDWARE: (4) SCREWLOCKS, H= .191"
 PANEL MOUNT HARDWARE: (4) SCREWLOCKS, H= .160"

WIRING MAP		
"J1"	WIRE COLOR	"J2"
1	BLACK	1
2	BROWN	2
3	RED	3
4	ORANGE	4
5	YELLOW	5
6	GREEN	6
7	BLUE	7
8	PURPLE	8
9	GRAY	9
10	WHITE	10
11	PINK	11
12	LIGHT GREEN	12
13	BLACK / WHITE	13
14	BROWN / WHITE	14
15	RED / WHITE	15
SHELL	DRAIN WIRE	SHELL

PART NUMBER	LENGTH	
	FEET	METERS
CRMN15FF-1	1.0	.31
CRMN15FF-2.5	2.5	.76
CRMN15FF-5	5.0	1.52
CRMN15FF-10	10.0	3.05
CRMN15FF-15	15.0	4.57
CRMN15FF-25	25.0	7.62

NOTES:

CABLE ASSEMBLY SHALL BE TESTED FOR CONTINUITY.

CABLE ASSEMBLY SHALL BE INDIVIDUALLY PACKAGED IN ACCORDANCE WITH L-COM SPECIFICATION PS-0031.

REGULATORY COMPLIANCE:
 CE2011/65/EU (RoHS DIRECTIVE)

UNLESS OTHERWISE SPECIFIED, DIMENSIONS ARE IN INCHES (mm)		APPROVALS		DATE
OVERALL CABLE LENGTH TOLERANCE: ≤ 12 (305) ± 0.1 (25) / -0 ≤ 12 (305) ± 0.1 (25) / -0 > 12 (305) ± 0.1 (25) / -0 > 12 (305) ± 0.1 (25) / -0 > 12 (305) ± 0.1 (25) / -0 > 300 (7620) ± 0.5 / -0.5		DRAWN BY I CLARK	DATE 3/10/2004	
ALL OTHER DIMENSIONAL TOLERANCES: $X = \pm 0.005$ (0.127) $XX = \pm 0.002$ (0.051) $XXX = \pm 0.001$ (0.025)		CHECKED BY D PARHAM	DATE 3/30/2004	
PROJECTION		APPROVED BY C MCCORMICK	DATE 3/31/2004	
		CONFIGURATION DETAILS OF UNDIMENSIONED FEATURES MAY VARY COLOR VARIATIONS MAY OCCUR CRMN-FS01		

45 BEECHWOOD DRIVE NORTH ANDOVER, MA 01845	
CATEGORY	D-SUBMINIATURE
PRODUCT DESCRIPTION	CABLE, DB15F/F REVERSIBLE HDWR
SIZE	B
PSCM NO.	43321
DWG. NO.	CRMN15FF
REV.	E
SCALE: 1:1	CAD FILE: CRMN15FF3LDRW
SHEET 1 OF 1	