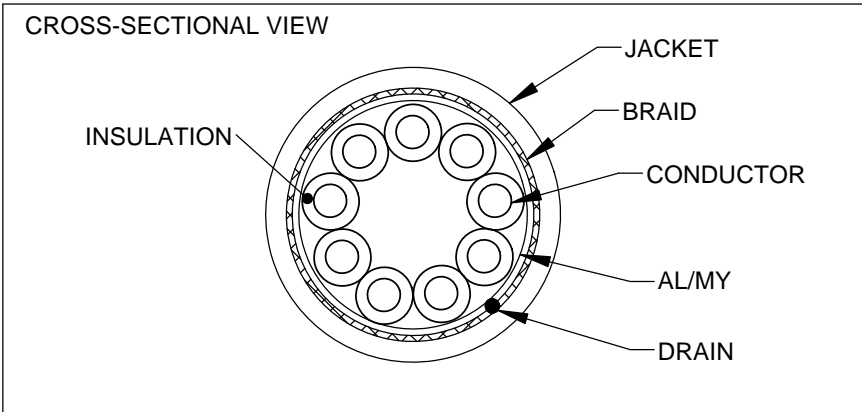




MODEL NO.	LENGTH	PACKAGING
CSCPMS09-100	100.0 FEET	POLY BAG
CSCPMS09-500	500.0 FEET	SPOOL
CSCPMS09-1000	1000.0 FEET	SPOOL

U.L. 2464 - 9C BULK CABLE SPECIFICATION

CONSTRUCTION AWG		20 AWG
CONDUCTORS	CONDUCTOR SIZE, IN [MM]	21/ 0.007±.0003 [21/0.18 ± .008mm]
	MATERIAL	TINNED COPPER STRANDED
INSULATION	MATERIAL	SR-PVC
	INSULATORS NO.	9 CONDUCTORS
	O.D, IN [MM]	.059 ±.002 [1.50±0.05mm]
FACE OUTSIDE ALUM. MYLAR	COVERAGE	100%
	OVERLAP	25% MIN.
JACKET	MATERIAL	HALF MATTE PVC
	O.D, IN [MM]	.303±.001 [7.7±.25]
	COLOR	DARK GRAY (PANTONE 445C)
BRAID	MATERIAL	TINNED COPPER
	SIZE, MM	16/7/0.12 ±0.008mm TA
DRAIN WIRE	CONDUCTOR SIZE, IN [MM]	21/ 0.007±.0003 [21/0.18 ± .008mm] (20AWG)
	MATERIAL	TINNED COPPER STRANDED
MARKING	E119932-I AWM 2464 80° C 300V 20AWG VW-1 LL84201 CSA AWM I/II A 80° C 300V 20AWG FT1 L-COM OPTIMAL DATA TRANSFER CABLE	
	COLOR	WHITE
	<b>ELECTRICAL PROPERTIES</b>	
VOLTAGE RATING		300V
TEMPERATURE RATING		80°C
MAX. DC CONDUCTOR RESISTANCE		37.4 ohms/km at 20°C MAX
<b>CABLE TO BE RoHS COMPLIANT</b>		



- COLOR CODE:**
1. BLACK
  2. BROWN
  3. RED
  4. ORANGE
  5. YELLOW
  6. GREEN
  7. BLUE
  8. PURPLE
  9. GRAY