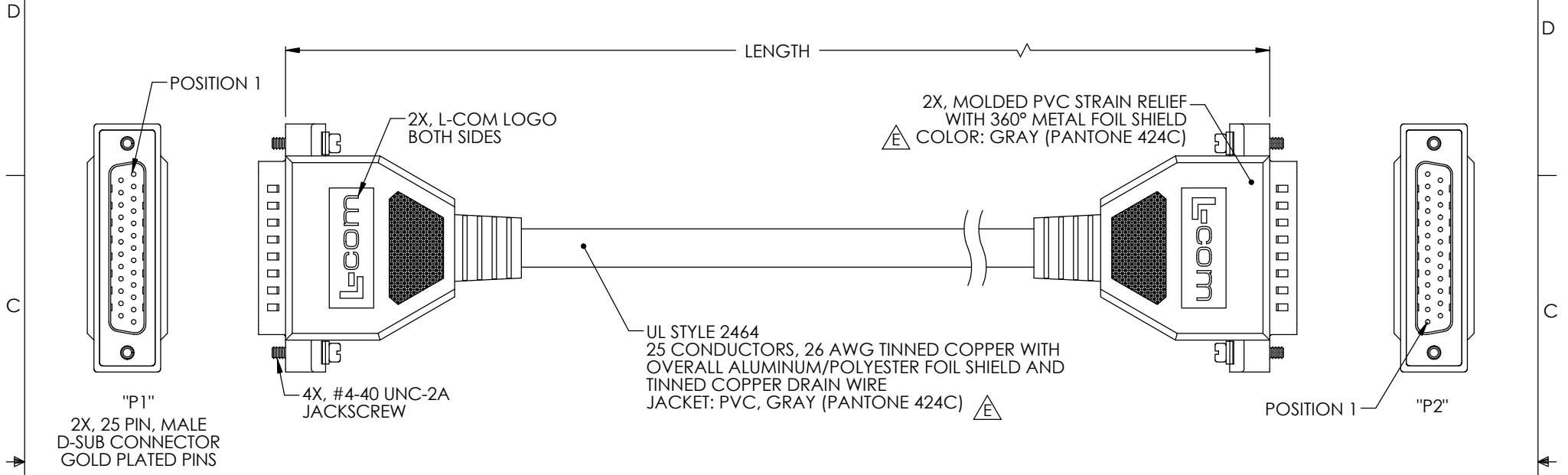


THE INFORMATION CONTAINED IN THIS DRAWING IS THE SOLE PROPERTY OF L-COM, INC. ANY REPRODUCTION IN PART OR WHOLE WITHOUT THE WRITTEN PERMISSION OF L-COM, INC. IS PROHIBITED.

RoHS Compliant ✓

| REVISIONS | | | |
|-----------|--|---------|--------------|
| REV | DESCRIPTION | DATE | APPROVED |
| E | ECN 6638: ADDED PANTONE #, UPDATED LOGOS | 1/28/13 | D. DESJARDIN |
| | | | |
| | | | |



| WIRING MAP | | | | | |
|------------|---------------|------|-------|----------------|-------|
| "P1" | WIRE COLOR | "P2" | "P1" | WIRE COLOR | "P2" |
| 1 | BLACK | 1 | 14 | BROWN / WHITE | 14 |
| 2 | BROWN | 2 | 15 | RED / WHITE | 15 |
| 3 | RED | 3 | 16 | ORANGE / WHITE | 16 |
| 4 | ORANGE | 4 | 17 | GREEN / WHITE | 17 |
| 5 | YELLOW | 5 | 18 | BLUE / WHITE | 18 |
| 6 | GREEN | 6 | 19 | PURPLE / WHITE | 19 |
| 7 | BLUE | 7 | 20 | RED / BLACK | 20 |
| 8 | PURPLE | 8 | 21 | ORANGE / BLACK | 21 |
| 9 | GRAY | 9 | 22 | YELLOW / BLACK | 22 |
| 10 | WHITE | 10 | 23 | GREEN / BLACK | 23 |
| 11 | PINK | 11 | 24 | GRAY / BLACK | 24 |
| 12 | LIGHT GREEN | 12 | 25 | PINK / BLACK | 25 |
| 13 | BLACK / WHITE | 13 | SHELL | DRAIN WIRE | SHELL |

| PART NUMBER | LENGTH | |
|-------------|--------|--------|
| | FEET | METERS |
| CSM25MM-1 | 1.0 | 0.31 |
| CSM25MM-2.5 | 2.5 | 0.76 |
| CSM25MM-5 | 5.0 | 1.52 |
| CSM25MM-10 | 10.0 | 3.05 |
| CSM25MM-25 | 25.0 | 7.62 |

- NOTES:
- CABLE SHALL BE TESTED FOR CONTINUITY.
 - CABLE SHALL BE INDIVIDUALLY PACKAGED IN ACCORDANCE WITH L-COM SPECIFICATION PS-0031.

| | | | | |
|---|--|----------------------------|----------------------------|--|
| UNLESS OTHERWISE SPECIFIED, DIMENSIONS ARE IN INCHES [mm] OVERALL CABLE LENGTH TOLERANCE: ≤12 [305] = +1 [25] / -0 >12 [305] ≤60 [1524] = +2 [51] / -0 >60 [1524] ≤120 [3048] = +4 [102] / -0 >120 [3048] ≤300 [7620] = +6 [152] / -0 >300 [7620] = +3% / -0% | APPROVALS | DATE | | 45 BEECHWOOD DRIVE NORTH ANDOVER, MA 01845 |
| | DRAWN BY TJC | 5/21/01 | | CATEGORY |
| ALL OTHER DIMENSIONAL TOLERANCES: .X = ± .2 .XX = ± .02 .XXX = ±.005 | CHECKED BY DFF | 4/30/01 | PRODUCT DESCRIPTION | |
| | APPROVED BY CM | 5/2/01 | CABLE, DB25M/M MOLDED | |
| PROJECTION | CONFIGURATION DETAILS OF UNDIMENSIONED FEATURES MAY VARY | COLOR VARIATIONS MAY OCCUR | SIZE A | FSCM NO. 43321 |
| | | | DWG. NO. CSM25MM | REV. E |
| | CSM-FS01 | SCALE: NONE | CAD FILE: CSM25MM.SLDRW | SHEET 1 OF 1 |