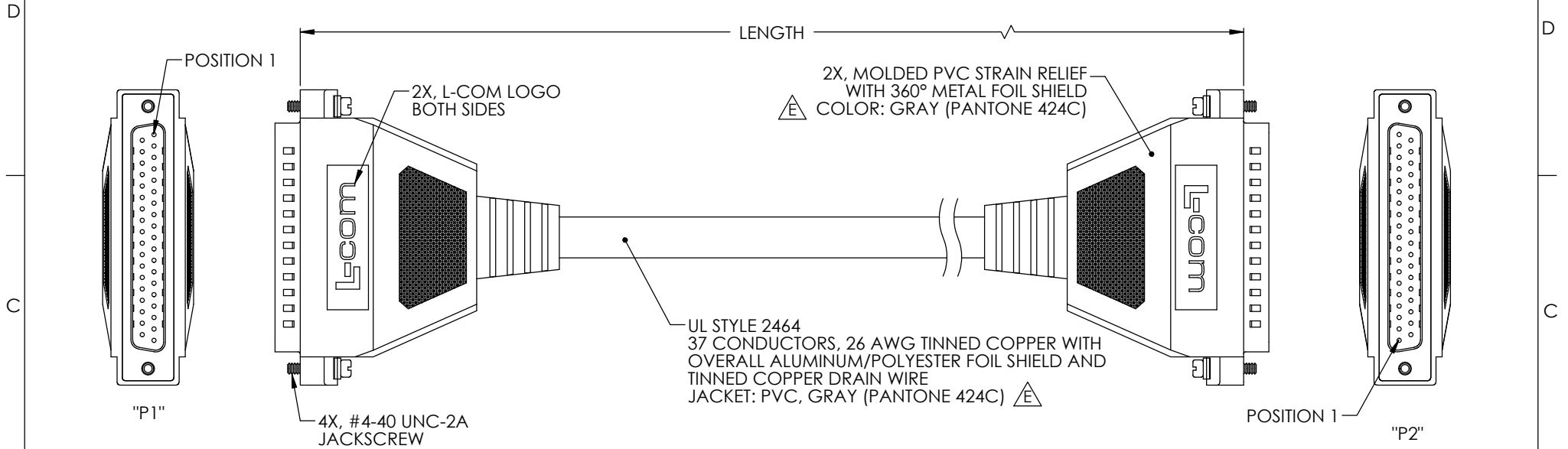


THE INFORMATION CONTAINED IN THIS DRAWING IS THE SOLE PROPERTY OF L-COM, INC. ANY REPRODUCTION IN PART OR WHOLE WITHOUT THE WRITTEN PERMISSION OF L-COM, INC. IS PROHIBITED.

RoHS Compliant ✓

REVISIONS			
REV	DESCRIPTION	DATE	APPROVED
E	ECN 6638: ADDED PANTONE #, UPDATED LOGOS	1/29/13	D. DESJARDIN



WIRING MAP					
"P1"	WIRE COLOR	"P2"	"P1"	WIRE COLOR	"P2"
1	BLACK	1	20	RED / BLACK	20
2	BROWN	2	21	ORANGE / BLACK	21
3	RED	3	22	YELLOW / BLACK	22
4	ORANGE	4	23	GREEN / BLACK	23
5	YELLOW	5	24	GRAY / BLACK	24
6	GREEN	6	25	PINK / BLACK	25
7	BLUE	7	26	PINK / RED	26
8	PURPLE	8	27	PINK / BLUE	27
9	GRAY	9	28	PINK / GREEN	28
10	WHITE	10	29	LIGHT BLUE	29
11	PINK	11	30	LIGHT BLUE / BLACK	30
12	LIGHT GREEN	12	31	LIGHT BLUE / RED	31
13	BLACK / WHITE	13	32	LIGHT BLUE / BLUE	32
14	BROWN / WHITE	14	33	LIGHT BLUE / GREEN	33
15	RED / WHITE	15	34	GRAY / RED	34
16	ORANGE / WHITE	16	35	GRAY / GREEN	35
17	GREEN / WHITE	17	36	PURPLE / BLACK	36
18	BLUE / WHITE	18	37	BLUE / BLACK	37
19	PURPLE / WHITE	19	SHELL	DRAIN WIRE	SHELL

PART NUMBER	LENGTH	
	FEET	METERS
CSM37MM-1	1.0	0.31
CSM37MM-2.5	2.5	0.76
CSM37MM-5	5.0	1.52
CSM37MM-10	10.0	3.05
CSM37MM-25	25.0	7.62

NOTES:

1. CABLE SHALL BE TESTED FOR CONTINUITY.
2. CABLE SHALL BE INDIVIDUALLY PACKAGED IN ACCORDANCE WITH L-COM SPECIFICATION PS-0031.

UNLESS OTHERWISE SPECIFIED, DIMENSIONS ARE IN INCHES [mm] OVERALL CABLE LENGTH TOLERANCE: ≤ 12 [305] = +1 [25] / -0 >12 [305] ≤ 60 [1524] = +2 [51] / -0 >60 [1524] ≤ 120 [3048] = +4 [102] / -0 >120 [3048] ≤ 300 [7620] = +6 [152] / -0 >300 [7620] = +3% / -0% ALL OTHER DIMENSIONAL TOLERANCES: .X = ± .2 .XX = ± .02 .XXX = ± .005	APPROVALS DRAWN BY TJC CHECKED BY DFP APPROVED BY CM	DATE 5/21/01 5/25/01 5/24/01	45 BEECHWOOD DRIVE NORTH ANDOVER, MA 01845	
	CONFIGURATION DETAILS OF UNDIMENSIONED FEATURES MAY VARY			CATEGORY D-SUBMINIATURE
	PROJECTION 	COLOR VARIATIONS MAY OCCUR CSM-FS01	SIZE A	FSCM NO. 43321 DWG. NO. CSM37MM
	SCALE: NONE		CAD FILE: CSM37MM.SLDDRW	REV. E SHEET 1 OF 1