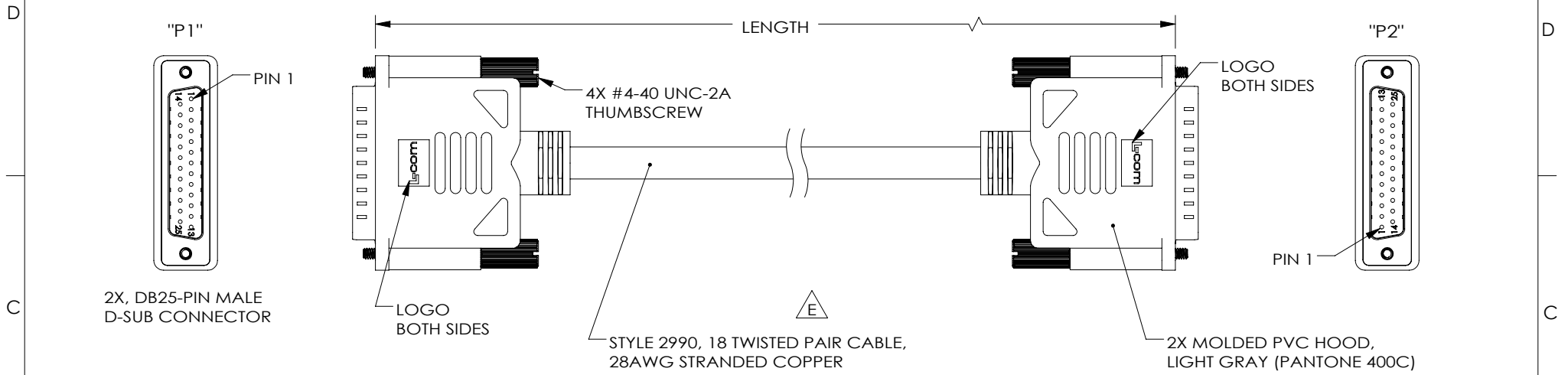


THE INFORMATION CONTAINED IN THIS DRAWING IS THE SOLE PROPERTY OF L-COM, INC. ANY REPRODUCTION IN PART OR WHOLE WITHOUT THE WRITTEN PERMISSION OF L-COM, INC. IS PROHIBITED.

REVISIONS			
REV	DESCRIPTION	DATE	APPROVED
E	ECN 7929:REVISE CBL DESCRIPTION	5/4/15	S.Li



STYLE 2990, 18 TWISTED PAIR CABLE, 28AWG STRANDED COPPER WITH ALUMINUM/POLYESTER SHIELD AND DRAIN WIRE PLUS TINNED COPPER BRAIDED SHIELD, OUTER JACKET: PVC, LIGHT GRAY (PANTONE 400C) NOM. DIA: .303"[7.70], MIN. BEND RAD: 3.0"[77.0]

WIRE MAP			
	"P1"		"P2"
PAIR 1	PIN 1		PIN 1
	PIN 18		PIN 18
PAIR 2	PIN 2		PIN 2
	PIN 19		PIN 19
PAIR 3	PIN 3		PIN 3
PAIR 4	PIN 4		PIN 4
	PIN 20		PIN 20
PAIR 5	PIN 5		PIN 5
PAIR 6	PIN 6		PIN 6
	PIN 21		PIN 21
PAIR 7	PIN 7		PIN 7
PAIR 8	PIN 8		PIN 8
	PIN 22		PIN 22
PAIR 9	PIN 9		PIN 9
PAIR 10	PIN 10		PIN 10
	PIN 24		PIN 24
PAIR 11	PIN 11		PIN 11
	PIN 23	PIN 23	
PAIR 12	PIN 12	PIN 12	
PAIR 13	PIN 13	PIN 13	
PAIR 14	PIN 14	PIN 14	
	PIN 25	PIN 25	
PAIR 15	PIN 16	PIN 16	
PAIR 16	PIN 15	PIN 15	
PAIR 17	PIN 17	PIN 17	
	SHIELD	SHIELD	

PART NUMBER	LENGTH	
	METERS	INCHES
CSM84AA-1M	1.0	39.37
CSM84AA-2M	2.0	78.74
CSM84AA-3M	3.0	118.1
CSM84AA-5M	5.0	196.9
CSM84AA-10M	10.0	393.7

NOTES:

1. CABLE ASSEMBLY SHALL COMPLY WITH THE REQUIREMENTS OF IEEE-1284 STANDARD.
2. HOOD MOLDINGS HAVE INTERNAL 360° FOIL SHIELDS SOLDERED TO THE METAL CONNECTOR FRAMES AND TO THE CABLE SHIELD.
3. CABLE ASSEMBLY SHALL BE TESTED FOR CONTINUITY.
4. CABLE ASSEMBLY SHALL BE INDIVIDUALLY PACKAGED IN ACCORDANCE WITH L-COM SPECIFICATION PS-0031.

REGULATORY COMPLIANCE:
CE2011/65/EU(RoHS DIRECTIVE)

UNLESS OTHERWISE SPECIFIED, DIMENSIONS ARE IN INCHES [mm] OVERALL CABLE LENGTH TOLERANCE: ≤ 12 [305] = +1 [25] / -0 > 12 [305] ≤ 60 [1524] = +2 [51] / -0 > 60 [1524] ≤ 120 [3048] = +4 [102] / -0 > 120 [3048] ≤ 300 [7620] = +6 [152] / -0 > 300 [7620] = +3% / -0% ALL OTHER DIMENSIONAL TOLERANCES: .X = ± .2 [5.08] .XX = ± .02 [1.51] .XXX = ± .005 [1.13]	APPROVALS DRAWN BY: TJC CHECKED BY: CM APPROVED BY: RC	DATE 5/14/01 5/18/01 5/23/01	45 BEECHWOOD DRIVE NORTH ANDOVER, MA 01845
	CONFIGURATION DETAILS OF UNDIMENSIONED FEATURES MAY VARY		CATEGORY D-SUBMINIATURE
	PROJECTION 	COLOR VARIATIONS MAY OCCUR	PRODUCT DESCRIPTION CBL, IEEE1284 DB25M/M
	SIZE A	FSCM NO. 43321	DWG. NO. CSM84AA
SCALE: NONE		CAD FILE: CSM84AA.SLDDRW	SHEET 1 OF 1