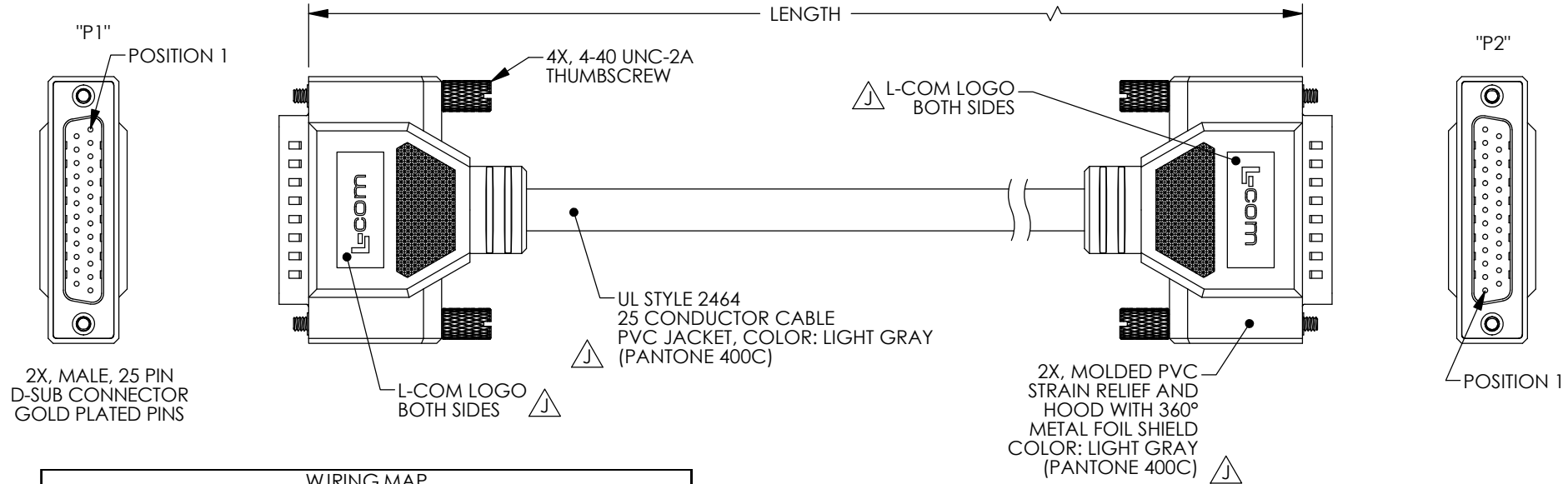


THE INFORMATION CONTAINED IN THIS DRAWING IS THE SOLE PROPERTY OF L-COM, INC. ANY REPRODUCTION IN PART OR WHOLE WITHOUT THE WRITTEN PERMISSION OF L-COM, INC. IS PROHIBITED.

RoHS Compliant ✓

REVISIONS			
REV	DESCRIPTION	DATE	APPROVED
G	ECN 3779: DEFINED COLOR TO LIGHT GRAY, NEW FORMAT	1/8/09	D.FRISIELLO
H	ECN 4474: ADDED 1.0 FT. LENGTH, UPDATED FORMAT, ADDED NOTES	1/7/10	D. CASTRO
J	ECN 6603: REVISED L-COM LOGO, ADDED COLOR	1/25/13	D.FRISIELLO



WIRING MAP					
"P1"	WIRE COLOR	"P2"	"P1"	WIRE COLOR	"P2"
1	BLACK	1	14	BROWN / WHITE	14
2	BROWN	2	15	RED / WHITE	15
3	RED	3	16	ORANGE / WHITE	16
4	ORANGE	4	17	GREEN / WHITE	17
5	YELLOW	5	18	BLUE / WHITE	18
6	GREEN	6	19	PURPLE / WHITE	19
7	BLUE	7	20	RED / BLACK	20
8	PURPLE	8	21	ORANGE / BLACK	21
9	GRAY	9	22	YELLOW / BLACK	22
10	WHITE	10	23	GREEN / BLACK	23
11	PINK	11	24	GRAY / BLACK	24
12	LIGHT GREEN	12	25	PINK / BLACK	25
13	BLACK / WHITE	13	SHELL	DRAIN WIRE	SHELL

PART NUMBER	LENGTH	
	FEET	METERS
CSMN25MM-1	1	0.31
CSMN25MM-2.5	2.5	0.76
CSMN25MM-5	5	1.52
CSMN25MM-10	10	3.05
CSMN25MM-15	15	4.57
CSMN25MM-25	25	7.62
CSMN25MM-50	50	15.24
CSMN25MM-125	125	38.1

- NOTES:**
- CABLE ASSEMBLY SHALL BE TESTED FOR CONTINUITY.
 - CABLE ASSEMBLY SHALL BE INDIVIDUALLY PACKAGED IN ACCORDANCE WITH L-COM PACKAGING SPEC. PS-0031.

UNLESS OTHERWISE SPECIFIED, DIMENSIONS ARE IN INCHES [mm] OVERALL CABLE LENGTH TOLERANCE: ≤ 12 [305] = +1 [25] / -0 >12 [305] ≤ 60 [1524] = +2 [51] / -0 >60 [1524] ≤ 120 [3048] = +4 [102] / -0 >120 [3048] ≤ 300 [7620] = +6 [152] / -0 >300 [7620] = +3% / -0% ALL OTHER DIMENSIONAL TOLERANCES: .X = ±.2 .XX = ±.02 .XXX = ±.005	APPROVALS DRAWN BY: TJC CHECKED BY: DFP APPROVED BY: CM	DATE 4/30/01 7/18/01 7/19/01	45 BEECHWOOD DRIVE NORTH ANDOVER, MA 01845	
	CONFIGURATION DETAILS OF UNDIMENSIONED FEATURES MAY VARY			CATEGORY D-SUBMINIATURE
	PROJECTION 	COLOR VARIATIONS MAY OCCUR CSMN-FS01	SIZE A FSCM NO. 43321 DWG. NO. CSMN25MM REV. J	PRODUCT DESCRIPTION DELUXE MOLDED CABLE, DB25M TO DB25M
			SCALE: NONE CAD FILE: CSMN25MM.SLDDRW SHEET 1 OF 1	