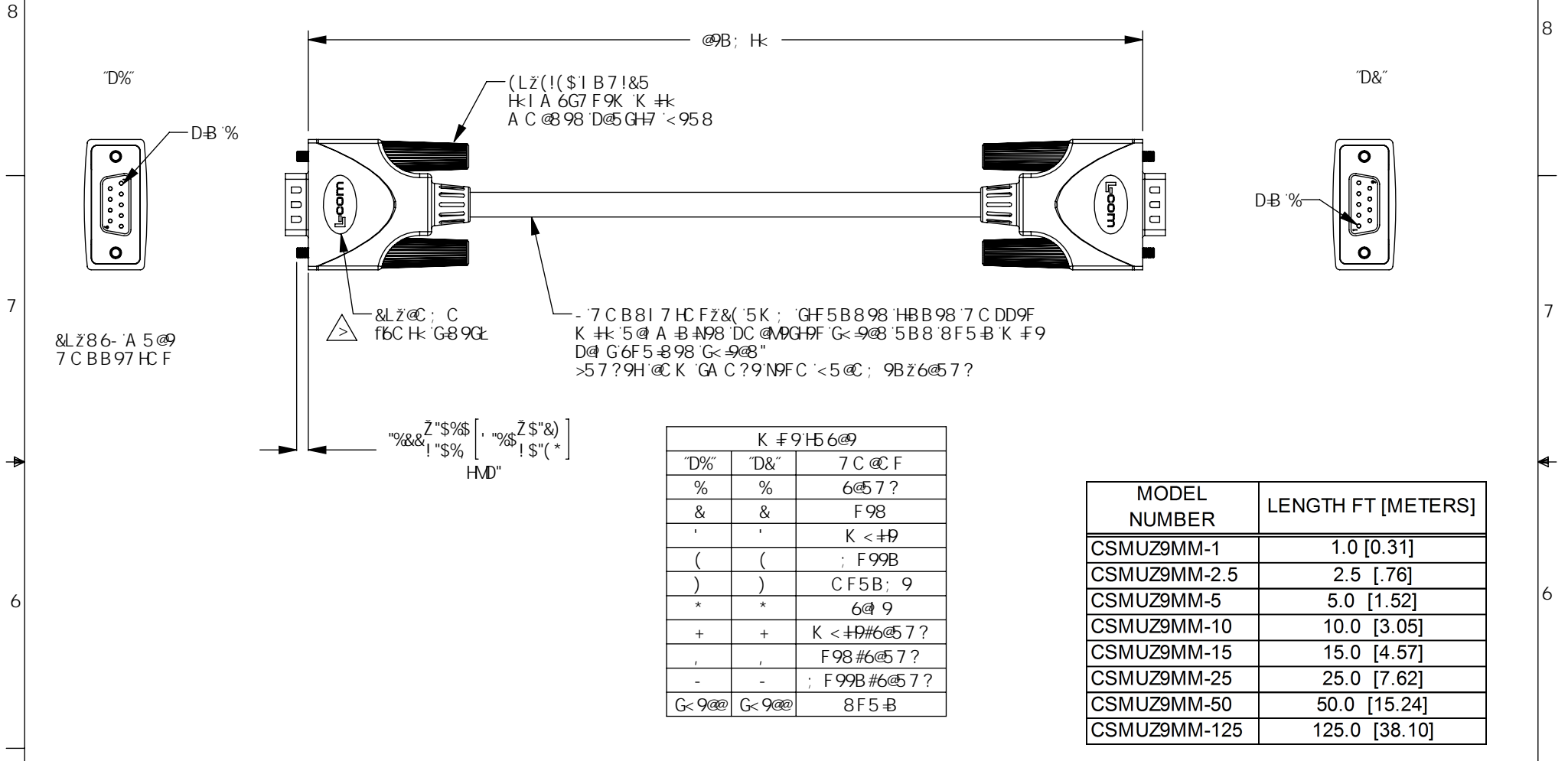


H:9'B: CFA 5HC B 7C B H 5-B 98 "B" H:G' 8F5K B: "G' H:9' GC @
 DFC D9F HMC: @7 CA 2-B7 "5B MF 9DFC 81 7 HC B-B D5FHC F K <C @
 K H:C1 H H:9K F H B B D9FA GGC B C: @7 CA 2-B7 "GDFC <6+98"

F9J 6C BG			
F9J	89G7 F-DHC B	85H9	5DDFCJ 98
:	97B", +: 7B F9@95 G9 5B8 B9K : CFA 5H	(#) #S-	8": F 69@C
<	97B ((+ (. 58898 %S: H@9B: H:z1 D85H8 : CFA 5H7 <: @ B CHQ Fc <G	%# #S	8" 75GFC
>	97B " & + % 1 D85H8 < C C 8GHC B9K @: C	+ # #S	8" 89G-5F8 B



Fc < G'7ca d'JubhU

BCHG

% "8F5-B 'K #9'H98 'HC '7C BB97 HC F'G< 9@@"
 &" 7 5 6@ 5GG9A 6@MG< 5@@69H9GH8: C F 7 C B H B I #M
 ' " 7 5 6@ 5GG9A 6@MG< 5@@69-B 8 J -81 5 @MD57?5; 98 'B'
 " " 577 C F85B79K H: @7 CA 'D57?5; B: 'GD97 "DG\$\$' %"
 (" "81 GH7 C J 9FG 'BG5 @98: C F 'G< -DD-B; "fBC HG< C K B L

1 B @9GC H:9K @9 D97 =982 8 A 9BGC BG5F9 B-B7 <9G @ a Q C J 9F5 @7 5 6@ @9B: H: HC @9F5B79 @9@O S) O1 2% @) O#1S 2% @O S) O#1 S @9 @O1 Z & Q #1S 2" S @9 & O#1 S @9 @O1 Z & Q #1S 2% @S O S (@9 S S O-85O1 Z- 'O9 8O#1S 2 S S O-85O1 Z) #1S	5DDFCJ 5@G	85H9		() 6997 <K C C 8 8F J 9 BC H: 5B8C J 9FZA 5 S% ()
5 @C H: 9F 8 A 9BGC B5 @HC @9F5B79G L 1 -& LL 1 -S& LLL 1 -SS	7CB: = 1F5HC B 89H5 @GC: 1B8 A 9BGB98: 95H F9G A 5MJ 5FM	75H9; CFM		85H5 756@B;
DFC >97 HC B	7C @CF J 5F5HC BG A 5MC 771 F	GAN 5	75H9; CFM	DFC B1 7H89G7 F-DHC B
		' : G7 A BC* BK: "BC"	7 GA I N-A A	@K 'GA C?9N9FC '<5@; 9B'85H5 756@
		G7 5@9; BC B9	758: @9 "7 GA I N-A A "G88FK	G< 99H % C: %