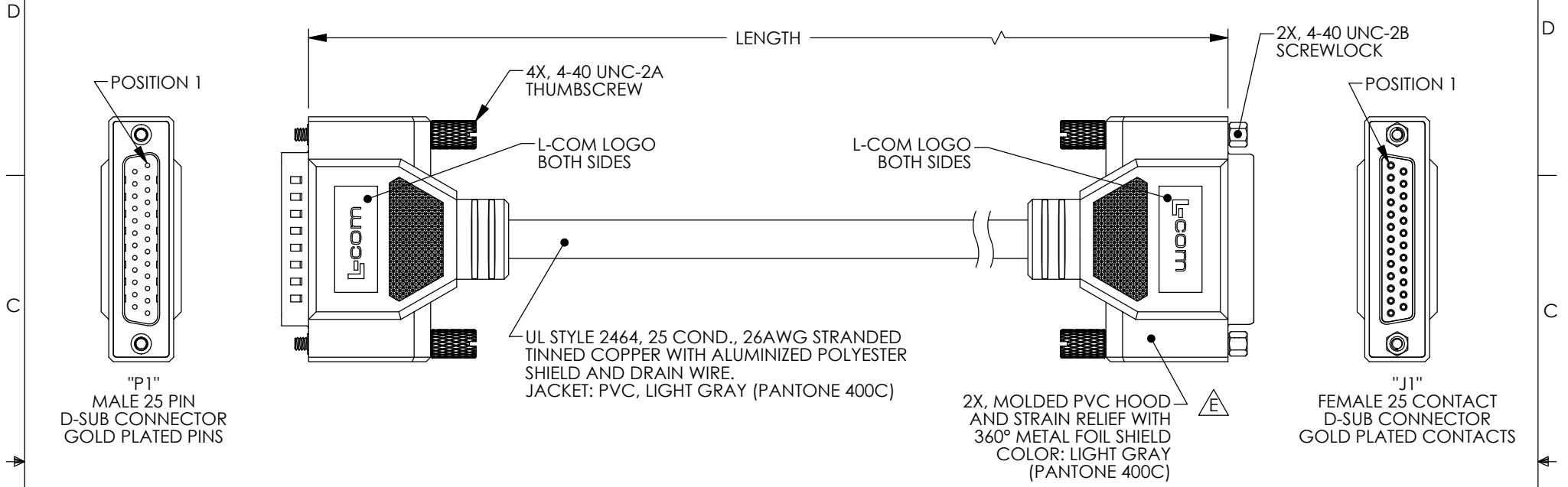


THE INFORMATION CONTAINED IN THIS DRAWING IS THE SOLE PROPERTY OF L-COM, INC. ANY REPRODUCTION IN PART OR WHOLE WITHOUT THE WRITTEN PERMISSION OF L-COM, INC. IS PROHIBITED.

REVISIONS			
REV	DESCRIPTION	DATE	APPROVED
E	ECN 7231: REVISE DESCRIPTION FOR "HOOD", NEW FORMAT, ROHS NOTE	1/9/14	D.FRISIELLO



"P1"  
MALE 25 PIN  
D-SUB CONNECTOR  
GOLD PLATED PINS

UL STYLE 2464, 25 COND., 26AWG STRANDED  
TINNED COPPER WITH ALUMINIZED POLYESTER  
SHIELD AND DRAIN WIRE.  
JACKET: PVC, LIGHT GRAY (PANTONE 400C)

2X, MOLDED PVC HOOD  
AND STRAIN RELIEF WITH  
360° METAL FOIL SHIELD  
COLOR: LIGHT GRAY  
(PANTONE 400C)

"J1"  
FEMALE 25 CONTACT  
D-SUB CONNECTOR  
GOLD PLATED CONTACTS

WIRING MAP					
"P1"	WIRE COLOR	"J1"	"P1"	WIRE COLOR	"J1"
1	BLACK	1	14	BROWN / WHITE	14
2	BROWN	3	15	RED / WHITE	15
3	RED	2	16	ORANGE / WHITE	16
4	ORANGE	4	17	GREEN / WHITE	17
5	YELLOW	5	18	BLUE / WHITE	18
6	GREEN	6	19	PURPLE / WHITE	19
7	BLUE	7	20	RED / BLACK	20
8	PURPLE	8	21	ORANGE / BLACK	21
9	GRAY	9	22	YELLOW / BLACK	22
10	WHITE	10	23	GREEN / BLACK	23
11	PINK	11	24	GRAY / BLACK	24
12	LIGHT GREEN	12	25	PINK / BLACK	25
13	BLACK / WHITE	13	SHELL	DRAIN WIRE	SHELL

MODEL NUMBER	LENGTH	
	FEET	METERS
CNULL25MF-5	5.0	1.52
CNULL25MF-10	10.0	3.05
CNULL25MF-25	25.0	7.62

**NOTES:**

1. CABLE ASSEMBLY SHALL BE TESTED FOR CONTINUITY.
2. CABLE ASSEMBLY SHALL BE INDIVIDUALLY PACKAGED IN ACCORDANCE WITH L-COM SPECIFICATION PS-0031.

**REGULATORY COMPLIANCE:**  
CE2011/65/EU (RoHS DIRECTIVE)

UNLESS OTHERWISE SPECIFIED, DIMENSIONS ARE IN INCHES [mm] OVERALL CABLE LENGTH TOLERANCE: ≤12 [305] = +1 [25] / -0 >12 [305] ≤60 [1524] = +2 [51] / -0 >60 [1524] ≤120 [3048] = +4 [102] / -0 >120 [3048] ≤300 [7620] = +6 [152] / -0 >300 [7620] = +5% / -0%	APPROVALS	DATE		45 BEECHWOOD DRIVE NORTH ANDOVER, MA 01845
	DRAWN BY MCCORMICK	02/15/02		CATEGORY
ALL OTHER DIMENSIONAL TOLERANCES: .X = ± .2 [5.08] .XX = ± .02 [1.51] .XXX = ± .005 [1.3]	CHECKED BY D.PARHAM	02/15/02	PRODUCT DESCRIPTION	CABLE, DB25M / DB25F NULL MODEM
PROJECTION 	APPROVED BY R.CARRICK	02/15/02	CONFIGURATION DETAILS OF UNDIMENSIONED FEATURES MAY VARY	SIZE <b>A</b>
	COLOR VARIATIONS MAY OCCUR			FSCM NO. <b>43321</b>
				DWG. NO. CNULL25MF
				REV. <b>E</b>
				SCALE: NONE
				CAD FILE: CNULL25MF.SLDDRW
				SHEET 1 OF 1