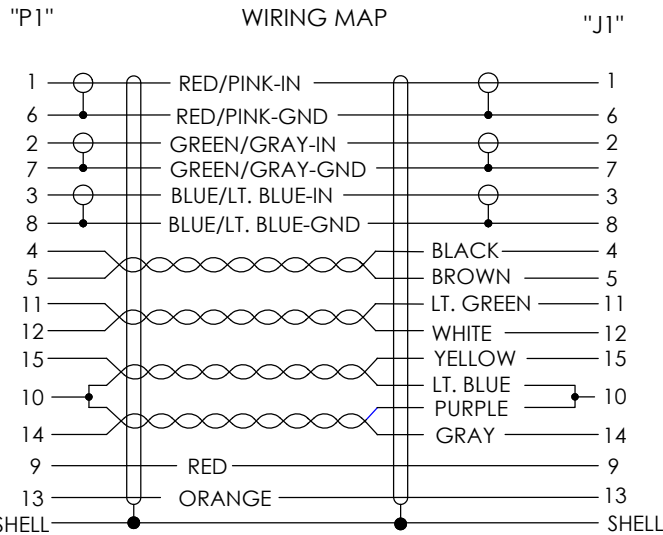
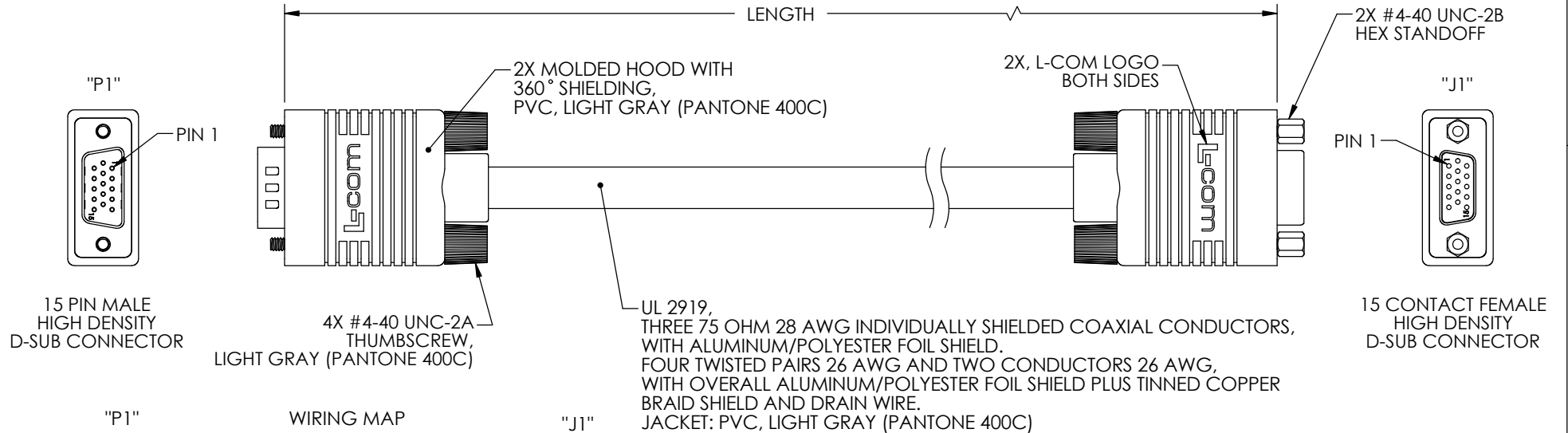


THE INFORMATION CONTAINED IN THIS DRAWING IS THE SOLE PROPERTY OF L-COM, INC. ANY REPRODUCTION IN PART OR WHOLE WITHOUT THE WRITTEN PERMISSION OF L-COM, INC. IS PROHIBITED.

RoHS Compliant ✓

REVISIONS			
REV	DESCRIPTION	DATE	APPROVED
E	ECN 3709: ADDED 3.0 LENGTH	11/14/08	D.CASTRO
F	ECN 3782: FIXED TWISTED PAIR IN WIRING MAP	1/6/09	D.CASTRO
G	ECN 6638: UPDATED FORMAT, PACKAGING, AND LOGOS	1/28/13	D. DESJARDIN



PART NUMBER	LENGTH	
	FEET	METERS
CTL3VGAMF-3	3.0	.91
CTL3VGAMF-5	5.0	1.52
CTL3VGAMF-10	10.0	3.05
CTL3VGAMF-25	25.0	7.62

NOTES:

- CABLE SHALL BE TESTED FOR CONTINUITY.
- CABLE SHALL BE INDIVIDUALLY PACKAGED IN ACCORDANCE WITH L-COM SPECIFICATION PS-0031.

UNLESS OTHERWISE SPECIFIED, DIMENSIONS ARE IN INCHES [mm] OVERALL CABLE LENGTH TOLERANCE: ≤ 12 [305] = +1 [25] / -0 >12 [305] ≤ 60 [1524] = +2 [51] / -0 >60 [1524] ≤ 120 [3048] = +4 [102] / -0 >120 [3048] ≤ 300 [7620] = +6 [152] / -0 >300 [7620] = +3% / -0% ALL OTHER DIMENSIONAL TOLERANCES: .X = ±.2 .XX = ±.02 .XXX = ±.005	APPROVALS DRAWN BY D PARHAM CHECKED BY T CLARK APPROVED BY R CARRICK	DATE 4/23/2001 4/23/2001 4/27/2001	45 BEECHWOOD DRIVE NORTH ANDOVER, MA 01845
	PROJECTION 	CONFIGURATION DETAILS OF UNDIMENSIONED FEATURES MAY VARY COLOR VARIATIONS MAY OCCUR	
SCALE: NONE		FSCM NO. A 43321	DWG. NO. CTL3VGAMF
CAD FILE: CTL3VGAMF.SLDDRW		SHEET 1 OF 1	