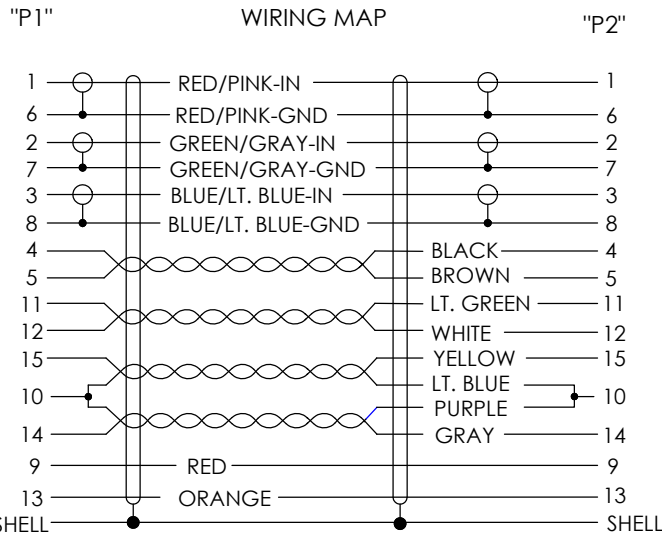
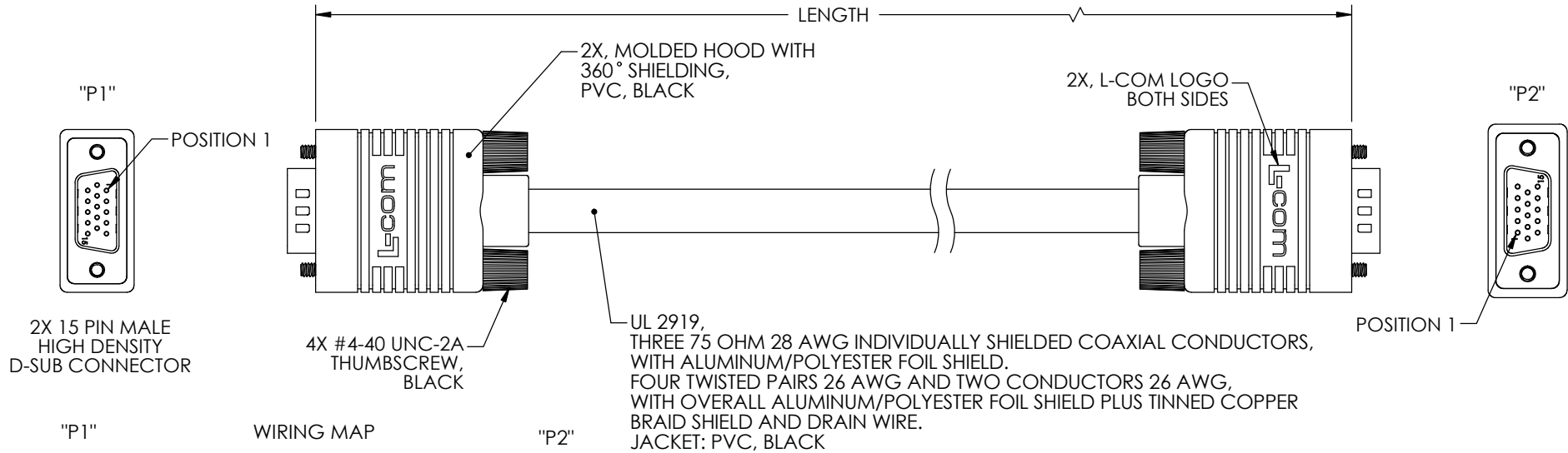


THE INFORMATION CONTAINED IN THIS DRAWING IS THE SOLE PROPERTY OF L-COM, INC. ANY REPRODUCTION IN PART OR WHOLE WITHOUT THE WRITTEN PERMISSION OF L-COM, INC. IS PROHIBITED.

RoHS Compliant ✓

REVISIONS			
REV	DESCRIPTION	DATE	APPROVED
E	ECN 3503: DELETED INSULATOR COLOR AND PIN PLATING NOTE	8/12/08	D.CASTRO
F	ECN 3782: FIXED TWISTED PAIR IN WIRING MAP	1/6/09	D.CASTRO
G	ECN 6749: UPDATED FORMAT, PACKAGING, & LOGOS.	3/25/13	D. DESJARDIN



PART NUMBER	LENGTH	
	FEET	METERS
CTL3VGAMM-3B	3.0	0.91
CTL3VGAMM-5B	5.0	1.52
CTL3VGAMM-10B	10.0	3.05
CTL3VGAMM-20B	20.0	6.09
CTL3VGAMM-25B	25.0	7.62
CTL3VGAMM-50B	50.0	15.24
CTL3VGAMM-100B	100.0	30.48
CTL3VGAMM-150B	150.0	45.72
CTL3VGAMM-200B	200.0	60.96

NOTES:

1. CABLE ASSEMBLY SHALL BE TESTED FOR CONTINUITY.

2. CABLE ASSEMBLY SHALL BE INDIVIDUALLY PACKAGED IN ACCORDANCE WITH L-COM SPECIFICATION PS-0031.

UNLESS OTHERWISE SPECIFIED, DIMENSIONS ARE IN INCHES [mm] OVERALL CABLE LENGTH TOLERANCE: $\leq 12$ [305] = +1 [25] / -0 $>12$ [305] $\leq 60$ [1524] = +2 [51] / -0 $>60$ [1524] $\leq 120$ [3048] = +4 [102] / -0 $>120$ [3048] $\leq 300$ [7620] = +6 [152] / -0 $>300$ [7620] = +3% / -0%	APPROVALS DRAWN BY D PARHAM CHECKED BY T CLARK APPROVED BY R CARRICK	DATE 4/23/2001 4/23/2001 4/27/2001	45 BEECHWOOD DRIVE NORTH ANDOVER, MA 01845
	ALL OTHER DIMENSIONAL TOLERANCES: .X = ± .2 .XX = ± .02 .XXX = ± .005	CONFIGURATION DETAILS OF UNDIMENSIONED FEATURES MAY VARY	
PROJECTION 	COLOR VARIATIONS MAY OCCUR	SIZE <b>A</b>	FSCM NO. <b>43321</b> DWG. NO. CTL3VGAMM-B REV. <b>G</b>
SCALE: NONE		CAD FILE: CTL3VGAMM-B.SLDDRW	SHEET 1 OF 1