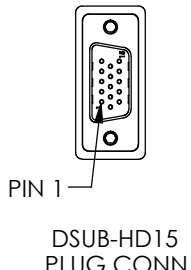
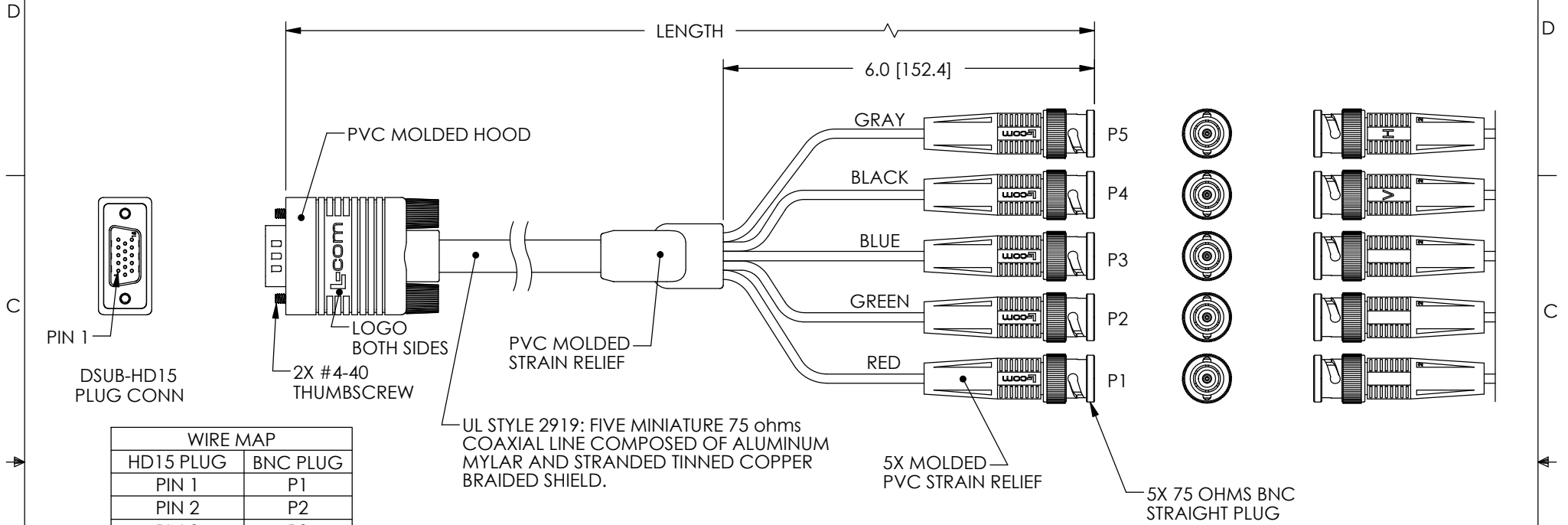


THE INFORMATION CONTAINED IN THIS DRAWING IS THE SOLE PROPERTY OF L-COM, INC. ANY REPRODUCTION IN PART OR WHOLE WITHOUT THE WRITTEN PERMISSION OF L-COM, INC. IS PROHIBITED.

RoHS Compliant ✓

REVISIONS			
REV	DESCRIPTION	DATE	APPROVED
C	ECN 3791: CN RELEASE	1/12/09	D.CASTRO
D	ECN 3905: ADDED NOT, ALL BNC SHIELDS TIED TO D-SUB SHELL	3/25/09	D. CASTRO
E	ECN 6519: UPDATED FORMAT, PACKAGING, AND LOGOS	11/19/12	D. DESJARDIN



WIRE MAP	
HD15 PLUG	BNC PLUG
PIN 1	P1
PIN 2	P2
PIN 3	P3
PIN 4	N/C
PIN 5	SHIELD
PIN 6	SHIELD
PIN 7	SHIELD
PIN 8	SHIELD
PIN 9	N/C
PIN 10	SHIELD
PIN 11	N/C
PIN 12	N/C
PIN 13	P5
PIN 14	P4
PIN 15	N/C
SHELL	SHIELD

UL STYLE 2919: FIVE MINIATURE 75 ohms COAXIAL LINE COMPOSED OF ALUMINUM MYLAR AND STRANDED TINNED COPPER BRAIDED SHIELD.

MODEL NUMBER	LENGTH		COLOR: CABLE JACKET, MOLDED HOOD, MOLDED STRAIN RELIEFS
	FEET	METER	
CTL5CAT-3	3.0	.91	GRAY (424C)
CTL5CAT-6	6.0	1.83	GRAY (424C)
CTL5CAT-3B	3.0	.91	BLACK
CTL5CAT-6B	6.0	1.83	BLACK
CTL5CAT-12B	12.0	3.66	BLACK

ALL BNC SHIELDS TIED TO SHELL

NOTES:

- CABLE SHALL BE TESTED FOR CONTINUITY.
- CABLE SHALL BE INDIVIDUALLY PACKAGED IN ACCORDANCE WITH L-COM SPECIFICATION PS-0031.



UNLESS OTHERWISE SPECIFIED, DIMENSIONS ARE IN INCHES [mm] OVERALL CABLE LENGTH TOLERANCE: ≤12 [305] = +1 [25] / -0 >12 [305] ≤60 [1524] = +2 [51] / -0 >60 [1524] ≤120 [3048] = +4 [102] / -0 >120 [3048] ≤300 [7620] = +6 [152] / -0 >300 [7620] = +3% / -0% ALL OTHER DIMENSIONAL TOLERANCES: .X = ± .2 .XX = ± .02 .XXX = ± .005	APPROVALS DRAWN BY: BILL_ZHANG CHECKED BY: FRANK_MAO APPROVED BY: THOMAS_LU	DATE 10/20/08 10/20/08 10/20/08	45 BEECHWOOD DRIVE NORTH ANDOVER, MA 01845	
	CONFIGURATION DETAILS OF UNDIMENSIONED FEATURES MAY VARY COLOR VARIATIONS MAY OCCUR	CATEGORY AUDIO/VIDEO		PRODUCT DESCRIPTION CA VGA BKT HD15 M/5 BNC M
PROJECTION 	SIZE A	FSCM NO. 43321	DWG. NO. CTL5CAT-3B	REV. E
SCALE: NONE		CAD FILE: CTL5CAT-3B.SLDDRW		SHEET 1 OF 1