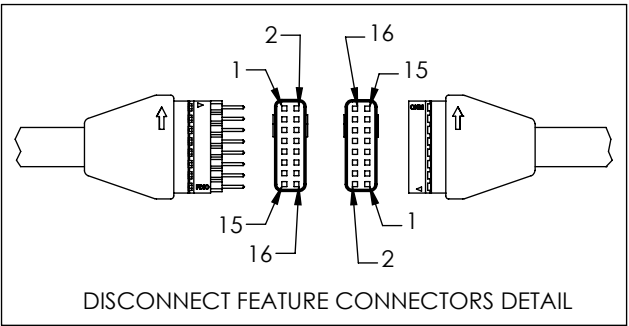
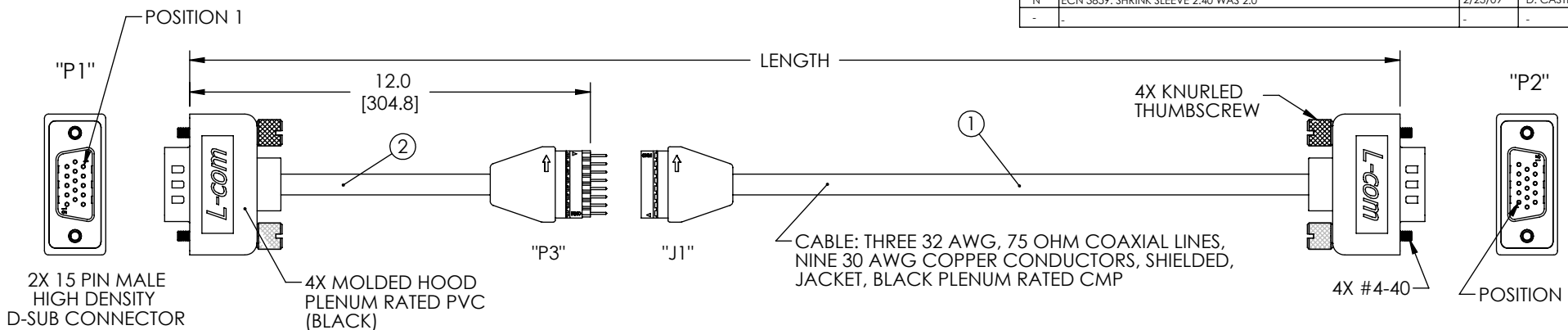


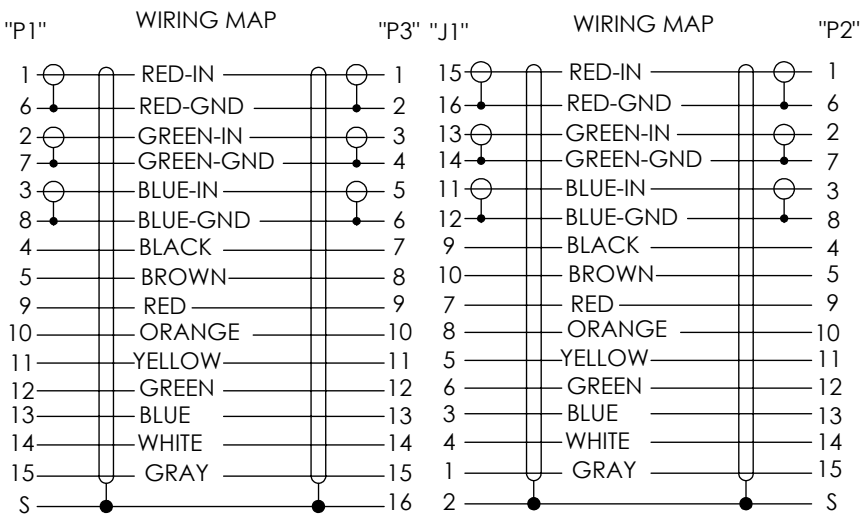
THE INFORMATION CONTAINED IN THIS DRAWING IS THE SOLE PROPERTY OF L-COM, INC. ANY REPRODUCTION IN PART OR WHOLE WITHOUT THE WRITTEN PERMISSION OF L-COM, INC. IS PROHIBITED.

RoHS Compliant ✓

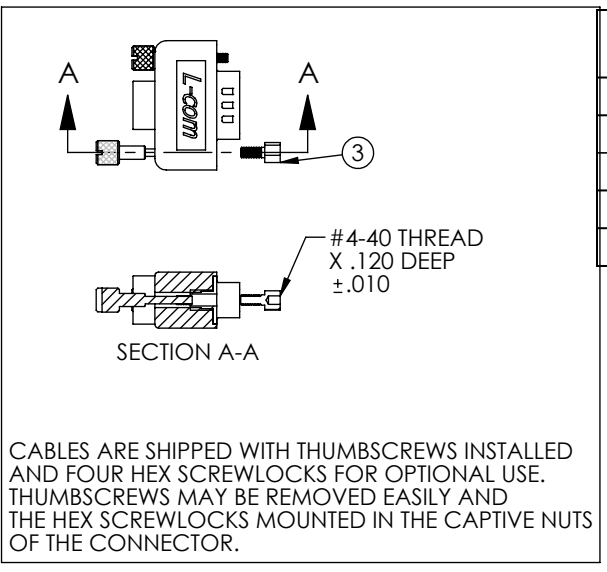
REVISIONS			
REV	DESCRIPTION	DATE	APPROVED
L	ECN 3056: SHRINK TUBING 2" WAS 1"	10/25/07	D.CASTRO
M	ECN 3454: CN RELEASE	7/17/08	D.CASTRO
N	ECN 3859: SHRINK SLEEVE 2.40 WAS 2.0	2/23/09	D. CASTRO
-	-	-	-



KIT DETAIL		
ITEM NO.	QTY.	DESCRIPTION
1	1	MAIN RUN CABLE
2	1	INTERFACE CABLE
3	4	HEX SCREWLOCK
4	1	SHRINK TUBING: Ø .75 X 2.40 LONG, NON-ADHESIVE 2:1 SHRINK RATIO, COLOR BLACK (NOT SHOWN)



NOTES:
 SHRINK TUBING TO BE PLACED ON CABLE (BY CUSTOMER) PRIOR TO ASSEMBLY, AFTER ASSEMBLY, SLIDE TUBING OVER CONNECTION AND SHRINK.
 ITEM 3 PACKAGED WITH CABLE ASSEMBLY (NOT INSTALLED ON CABLE).
 CABLE ASSEMBLIES SHALL BE TESTED FOR CONTINUITY.
 CABLE ASSEMBLIES SHALL BE INDIVIDUALLY PACKAGED IN A POLYBAG.



PART NUMBER	LENGTH FEET [METERS]
CTLB3VGAMM-15TP	15 [4.57]
CTLB3VGAMM-20TP	20 [6.10]
CTLB3VGAMM-25TP	25 [7.62]
CTLB3VGAMM-50TP	50 [15.24]
CTLB3VGAMM-75TP	75 [22.86]

UNLESS OTHERWISE SPECIFIED, DIMENSIONS ARE IN INCHES [mm]	APPROVALS	DATE		45 BEECHWOOD DRIVE NORTH ANDOVER, MA 01845		
	DRAWN BY D. PARHAM	1/7/2003				
	OVERALL CABLE LENGTH TOLERANCE: $\leq 12 [305] = +1 [25] / -0$ $> 12 [305] \leq 60 [1524] = -2 [51] / -0$ $> 60 [1524] \leq 120 [3048] = +4 / -0$ $> 120 [3048] \leq 300 [7620] = +6 / -0$ $> 300 [7620] = +5\% / -0\%$	CHECKED BY C. McCORMICK	1/8/2003	CATEGORY	VIDEO	
	ALL OTHER DIMENSIONAL TOLERANCES: $X = .3$ $.XX = .15$	APPROVED BY R. CARRICK	3/28/2003	PRODUCT DESCRIPTION	CA SVGA HD 15 M/M DISCONN, PLENUM	
PROJECTION	CONFIGURATION DETAILS OF UNDIMENSIONED FEATURES MAY VARY	COLOR VARIATIONS MAY OCCUR	SIZE A	FSCM NO. 43321	DWG. NO. CTLB3VGAMM-TP	REV. N
			SCALE: NONE	CAD FILE: CTLB3VGAMM-TP.SLDDRW	SHEET 1 OF 1	