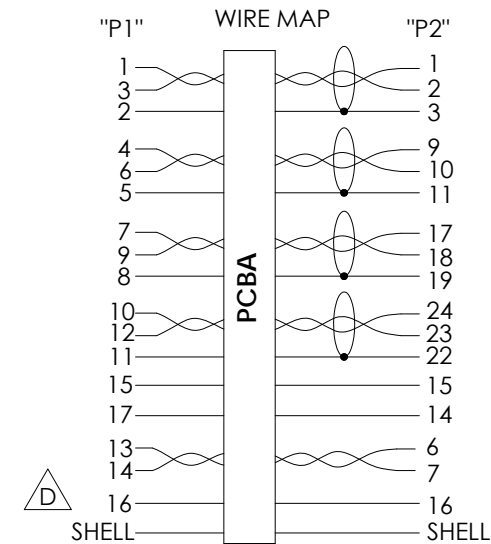
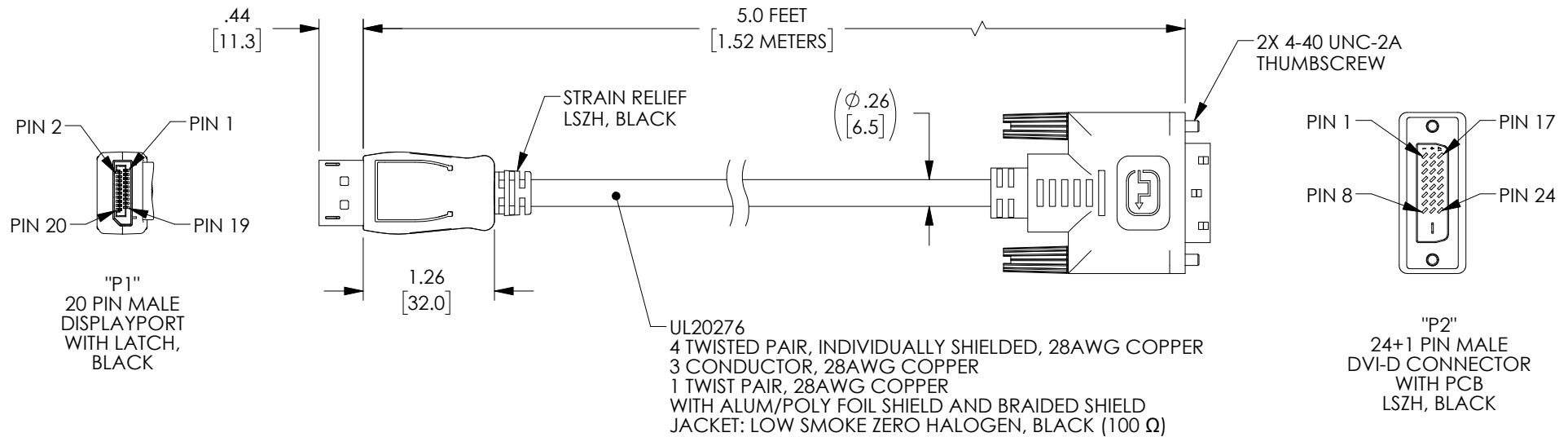


THE INFORMATION CONTAINED IN THIS DRAWING IS THE SOLE PROPERTY OF L-COM, INC. ANY REPRODUCTION IN PART OR WHOLE WITHOUT THE WRITTEN PERMISSION OF L-COM, INC. IS PROHIBITED.

REVISIONS			
REV	DESCRIPTION	DATE	APPROVED
A	INITIAL RELEASE PER BRIAN GATES	03/30/2017	JLABOY
B	ECN 8743: CHANGE PACKAGING SPEC FROM PKG-00012 TO PS-0031.	05/01/2017	JLABOY
C	ECN 9053: CREATE 3D MODEL, REVISE DRAWING TO L-COM STANDARDS	01/18/2018	DFRSIELLO
D	ECN 9537: P1 WIRE MAP PIN 6 TO 16, P2 DESCRIPTION TO 24, REMOVE ROHS	11/26/2018	DFRSIELLO



**NOTES:**

**ELECTRICAL PROPERTIES:**  
 VOLTAGE TEST: DC 300V  
 INSULATION RESISTANCE: 10.0M OHM MIN  
 CONDUCTIVE RESISTANCE: 2.0 OHM MAX

**MISCELLANEOUS:**  
 INSIDE MOLDED P2 END MUST USE COPPER FOIL AND SOLDER BRAID 360 DEGREE TO THE SHELL  
 CABLE ASSEMBLY SHALL BE UL CERTIFIED  
 CABLE ASSEMBLY SHALL BE TESTED FOR CONTINUITY.  
 CABLE ASSEMBLY SHALL BE INDIVIDUALLY PACKAGED IN ACCORDANCE WITH L-COM SPECIFICATION PS-0031.

UNLESS OTHERWISE SPECIFIED, DIMENSIONS ARE IN INCHES [mm] OVERALL CABLE LENGTH TOLERANCE: ≤12 [305] = +1 [25] / -0 >12 [305] ≤60 [1524] = +2 [51] / -0 >60 [1524] ≤120 [3048] = +4 [102] / -0 >120 [3048] ≤300 [7620] = +6 [152] / -0 >300 [7620] = +5% / -0%	APPROVALS	DATE		50 HIGH STREET NORTH ANDOVER, MA 01845
	DRAWN BY BPUCHASKI	03/27/2017		CATEGORY
ALL OTHER DIMENSIONAL TOLERANCES: .X = ± .2 [5.08] .XX = ± .02 [1.51] .XXX = ± .005 [1.3]	CHECKED BY JLABOY	03/27/2017	PRODUCT DESCRIPTION <b>CA DVI TO DP LSZH 5 FEET</b>	REV. <b>D</b>
	APPROVED BY BGATES	03/27/2017		
PROJECTION 	SIZE <b>A</b>	FSCM NO. <b>43321</b>	DWG. NO. <b>CTLDVI-DLSP-MM-5</b>	SCALE: NONE
CAD FILE: CTLDVI-DLSP-MM-5.SLDRW		SHEET 1 OF 1		