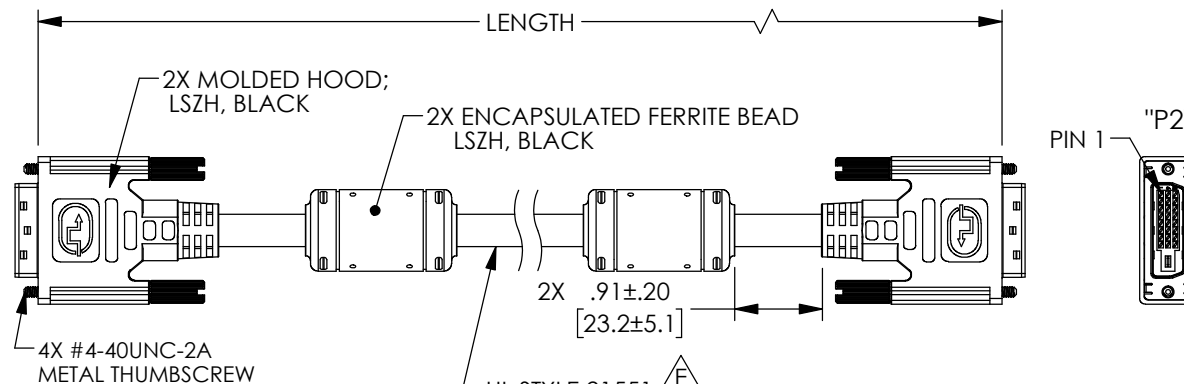
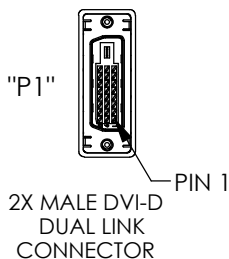


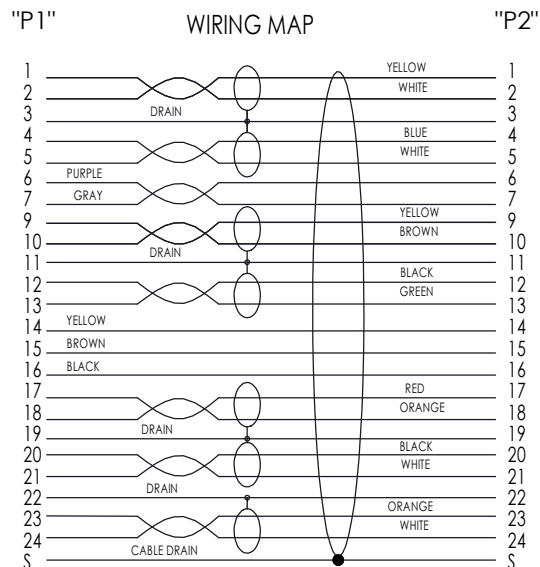
THE INFORMATION CONTAINED IN THIS DRAWING IS THE SOLE PROPERTY OF L-COM, INC. ANY REPRODUCTION IN PART OR WHOLE WITHOUT THE WRITTEN PERMISSION OF L-COM, INC. IS PROHIBITED.

P/N	LENGTH	
	FEET	METERS
CTLDVIDMMLZ-3	3.0	.92
CTLDVIDMMLZ-5	5.0	1.52
CTLDVIDMMLZ-10	10.0	3.05
CTLDVIDMMLZ-15	15.0	4.57

REVISIONS			
REV	DESCRIPTION	DATE	APPROVED
E	ECN 10838: REVISE UL STYLE TO 21551, ADD LSZH CBL CHARACTERISTICS TO DWG, NEW FORMAT	12/10/2020	M.BLACKWOOD



UL STYLE 21551, $\triangle E$
 (7) SHIELDED TWISTED PAIR, 28AWG, STRANDED TINNED COPPER,
 (1) UNSHIELDED TWISTED PAIR, 28AWG, STRANDED TINNED COPPER,
 (3) CONDUCTORS, 28AWG, STRANDED TINNED COPPER,
 SHIELDING (BRAIDED): TINNED COPPER
 SHIELDING: ALUMINUM/POLYESTER
 OUTER JACKET: LSZH, BLACK




PIN 8: NO CONNECTION

NOTES:

1. CABLES TO BE TESTED FOR CONTINUITY
2. CABLES TO BE INDIVIDUALLY PACKAGED PER L-COM SPECIFICATION PS-0031.
3. DUST COVERS INSTALLED FOR SHIPPING (NOT SHOWN).

LSZH CABLE CHARACTERISTICS: $\triangle E$

FLAME RATING: IEC 60332-1
 CORROSIVE GAS: IEC 60754
 SMOKE EMISSION: IEC 61034

UNLESS OTHERWISE SPECIFIED, DIMENSIONS ARE IN INCHES [mm] OVERALL CABLE LENGTH TOLERANCE: ≤12 [305] ≤+1 [25] / -0 >12 [305] ≤60 [1524] = +2 [51] / -0 >60 [1524] ≤120 [3048] = +4 [102] / -0 >120 [3048] ≤300 [7620] = +6 [152] / -0 >300 [7620] = +5% / -0 ALL OTHER DIMENSIONAL TOLERANCES: .X = ± .2 [5] FRACTIONS ± 1/32 .XX = ± .02 [5] ± 1/32 .XXX = ± .005 [13] ANGLES ± 1°	APPROVALS	DATE	 50 High Street, West Mill, North Andover, MA 01845 USA. P. McNeil Phone: 1.800.341.5266 1.978.682.6936
	DRAWN BY D. PARHAM 02/11/2010 CHECKED BY J. RUST 02/12/2010 APPROVED BY P. McNEIL 02/12/2010	CATEGORY AUDIO/VIDEO	
THIRD-ANGLE PROJECTION	COLOR VARIATIONS MAY OCCUR	REF	SIZE A CAGE CODE 43321 DWG. NO. CTLDVIDMMLZ REV. E SCALE: NONE CAD FILE: CTLDVIDMMLZ.SLDRW SHEET 1 OF 1