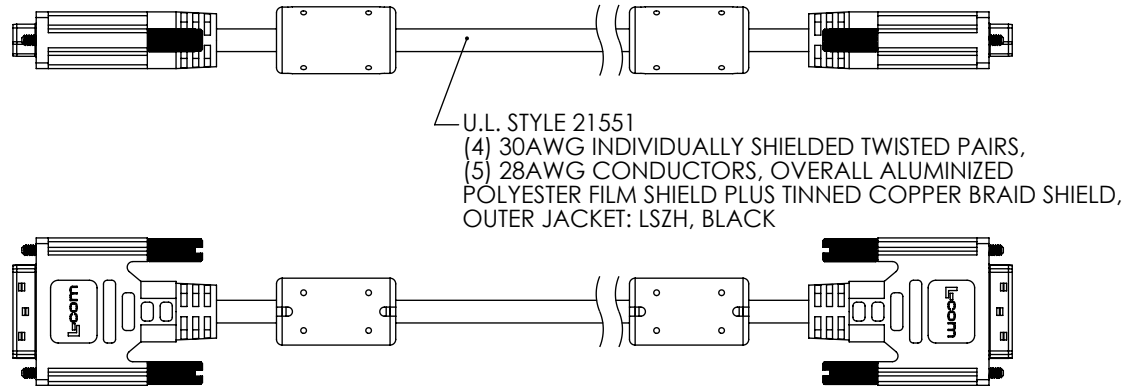
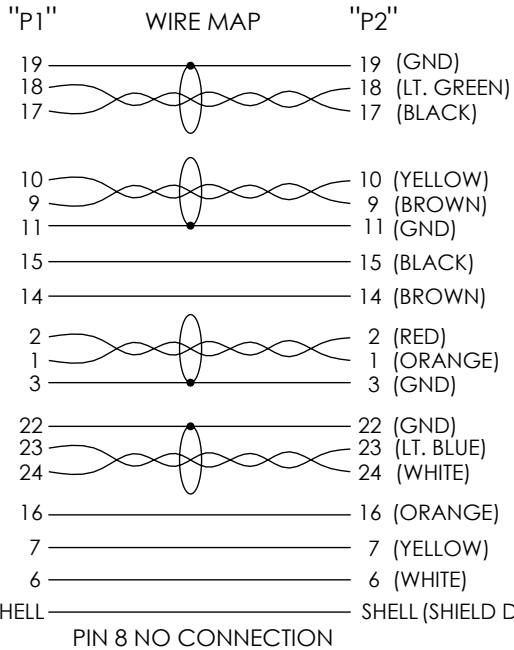
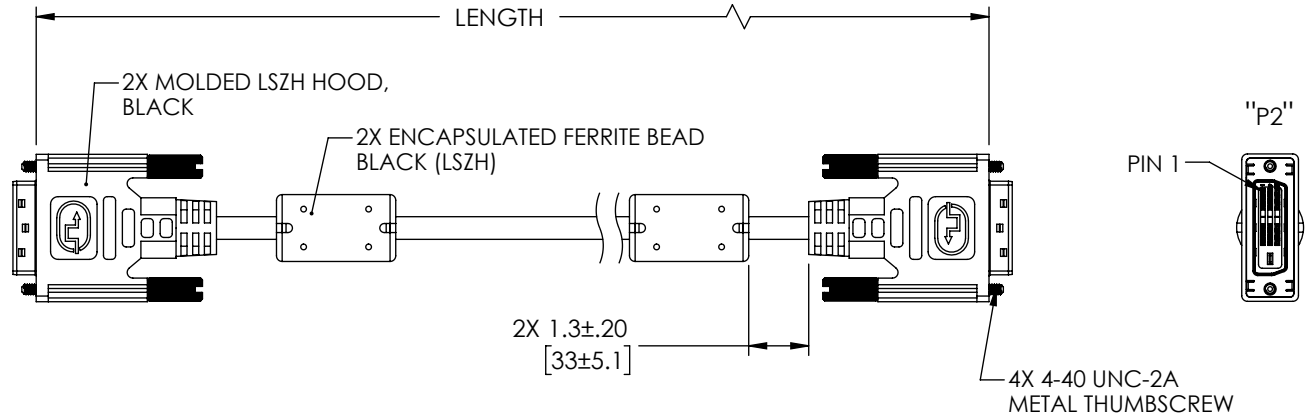
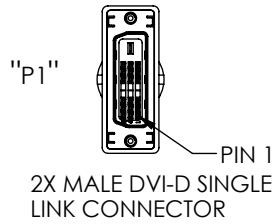


THE INFORMATION CONTAINED IN THIS DRAWING IS THE SOLE PROPERTY OF L-COM, INC. ANY REPRODUCTION IN PART OR WHOLE WITHOUT THE WRITTEN PERMISSION OF L-COM, INC. IS PROHIBITED.

REVISIONS			
REV	DESCRIPTION	DATE	APPROVED
E	ECN8182; UPDT DWG FROM MOLDED THUMBSCREW TO METAL THUMBSCREW	11/28/2015	BZHANG
F	ECN 10829; REVISE UL STYLE TO 21551.ADD LSZH CBL CHARACTERISTICS TO DWG.NEW FORMAT	12/10/2020	MBLACKWOOD
G	ECN 11084; IN BOM 1AL05-032 REPLACED WITH 1AL05-060. ADD NOTE 4.	04/30/2021	DZINN

MODEL NUMBER	LENGTH	
	FEET	METERS
CTLDVIMMLZ-3	3.0	[.92]
CTLDVIMMLZ-5	5.0	[1.52]
CTLDVIMMLZ-10	10.0	[3.05]
CTLDVIMMLZ-15	15.0	[4.57]


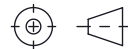


LSZH CABLE CHARACTERISTICS:
FLAME RATING: IEC 60332-1
CORROSIVE GAS: IEC 60754
SMOKE EMISSION: IEC 61034

NOTES:

1. CABLE ASSEMBLIES SHALL BE TESTED FOR CONTINUITY.
2. CABLE ASSEMBLIES SHALL BE INDIVIDUALLY PACKAGED PER L-COM SPECIFICATION PS-0031.
3. DUST COVERS INSTALLED FOR SHIPPING (NOT SHOWN).
4. DIMENSIONS ARE FOR REFERENCE ONLY.



UNLESS OTHERWISE SPECIFIED, DIMENSIONS ARE IN INCHES [mm] OVERALL CABLE LENGTH TOLERANCE: ≤12 [305] = +1 [25] / -0 >12 [305] ≤60 [1524] = +2 [51] / -0 >60 [1524] ≤120 [3048] = +4 [102] / -0 >120 [3048] ≤300 [7620] = +6 [152] / -0 >300 [7620] = +5% / -0 ALL OTHER DIMENSIONAL TOLERANCES: .X = ±.2 [5] FRACTIONS ± 1/32 .XX = ±.02 [.5] ANGLES ± 1° .XXX = ±.005 [.13]	APPROVALS	DATE	 50 High Street, West Mill, North Andover, MA 01845 USA. Phone: 1.800.341.5266 1.978.682.6936	
	DRAWN BY	02/11/2010		CATEGORY AUDIO/VIDEO
	CHECKED BY	02/12/2010		
	APPROVED BY	02/12/2010		
THIRD-ANGLE PROJECTION	CONFIGURATION DETAILS OF UNDIMENSIONED FEATURES MAY VARY	PRODUCT DESCRIPTION	CBL, DVI-D M/DVI-D M W/FERR	
	COLOR VARIATIONS MAY OCCUR	SIZE A CAGE CODE 43321 DWG. NO. CTLDVIMMLZ	REV. G SCALE: NONE CAD FILE: CTLDVIMMLZ.SLDDRW SHEET 1 OF 1	