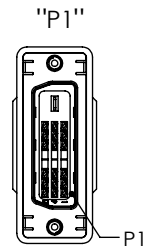


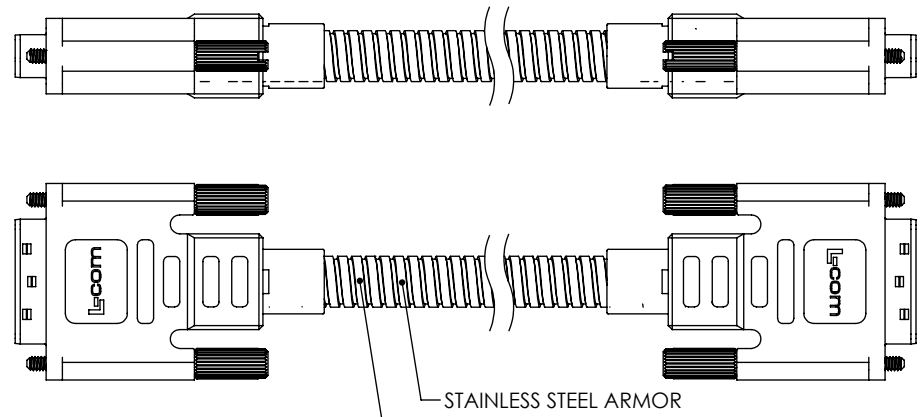
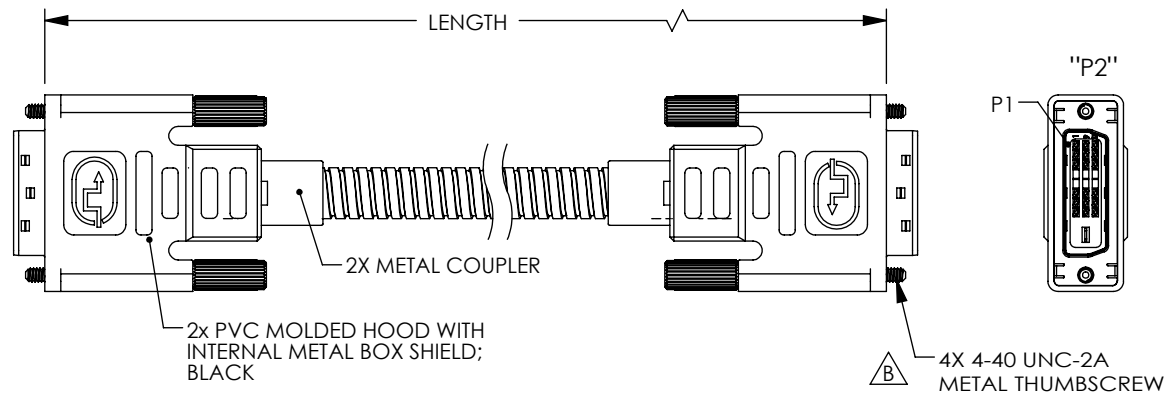
THE INFORMATION CONTAINED IN THIS DRAWING IS THE SOLE PROPERTY OF L-COM, INC. ANY REPRODUCTION IN PART OR WHOLE WITHOUT THE WRITTEN PERMISSION OF L-COM, INC. IS PROHIBITED.

REVISIONS			
REV	DESCRIPTION	DATE	APPROVED
A	CN PRELIMINARY RELEASE	06/26/2013	B.Zhang
B	ECN8182; UPDT DWG FROM MOLDED THUMBSCREW TO METAL THUMBSCREW	11/28/2013	B.ZHANG

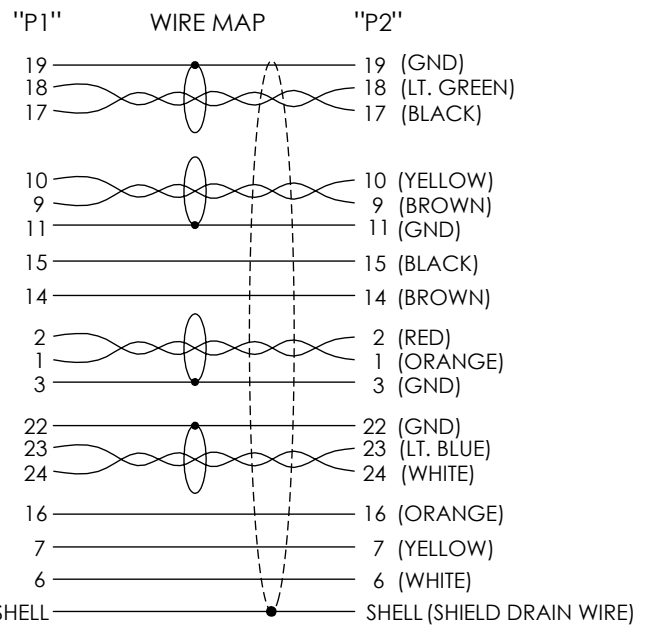
MODEL NUMBER	LENGTH	
	FEET	METERS
CTLDVISMT-3	3.0	[.91]
CTLDVISMT-5	5.0	[1.52]
CTLDVISMT-10	10.0	[3.05]
CTLDVISMT-15	15.0	[4.57]



2X DVI-D SINGLE LINK MALE  
30U" SELECTIVE GOLD PLATED PIN  
NICKEL PLATED FRONT SHELL



STAINLESS STEEL ARMOR  
U.L. STYLE 20276 CABLE (INNER, NOT SHOWN)  
(4) 30AWG INDIVIDUALLY SHIELDED TWISTED PAIRS,  
(5) 28AWG CONDUCTORS, OVERALL ALUMINIZED  
POLYESTER FILM SHIELD PLUS TINNED COPPER BRAID SHIELD,  
PVC OUTER JACKET: GRAY (PANTONE 424C).



PIN 8 NO CONNECTION

- NOTES**
1. METAL ARMOR CRUSH RESISTANCE: 1500 PSI (MIN).
  2. CABLE ASSEMBLY SHALL BE TESTED FOR CONTINUITY.
  3. CABLE ASSEMBLY SHALL BE INDIVIDUALLY PACKAGED IN ACCORDANCE WITH L-COM SPECIFICATION PS-0031.
  4. DUST COVERS INSTALLED FOR SHIPPING (NOT SHOWN).

**REGULATORY COMPLIANCE:**  
CE2011/65/EU (RoHS DIRECTIVE)

UNLESS OTHERWISE SPECIFIED, DIMENSIONS ARE IN INCHES [mm] OVERALL CABLE LENGTH TOLERANCE: $\leq 12$ [305] = +1 [25] / -0 $>12$ [305] $\leq 60$ [1524] = +2 [51] / -0 $>60$ [1524] $\leq 120$ [3048] = +4 [102] / -0 $>120$ [3048] $\leq 300$ [7620] = +6 [152] / -0 $>300$ [7620] = +5% / -0% ALL OTHER DIMENSIONAL TOLERANCES: .X = ±.2 [5.08] .XX = ±.02 [51] .XXX = ±.005 [13]	APPROVALS DRAWN BY B.Zhang CHECKED BY F.Mao APPROVED BY T.Lu	DATE 02/22/2013 06/26/2013 06/26/2013	45 BEECHWOOD DRIVE NORTH ANDOVER, MA 01845				
	CATEGORY AUDIO/VIDEO			PRODUCT DESCRIPTION CBL, DVI-DSL M/M W.METAL ARMOR			
	PROJECTION 	CONFIGURATION DETAILS OF UNDIMENSIONED FEATURES MAY VARY	COLOR VARIATIONS MAY OCCUR		SIZE <b>A</b>	FSCM NO. <b>43321</b>	DWG. NO. CTLDVISMT
	SCALE: NONE		CAD FILE: CTLDVISMT.SLDRW		SHEET 1 OF 1		