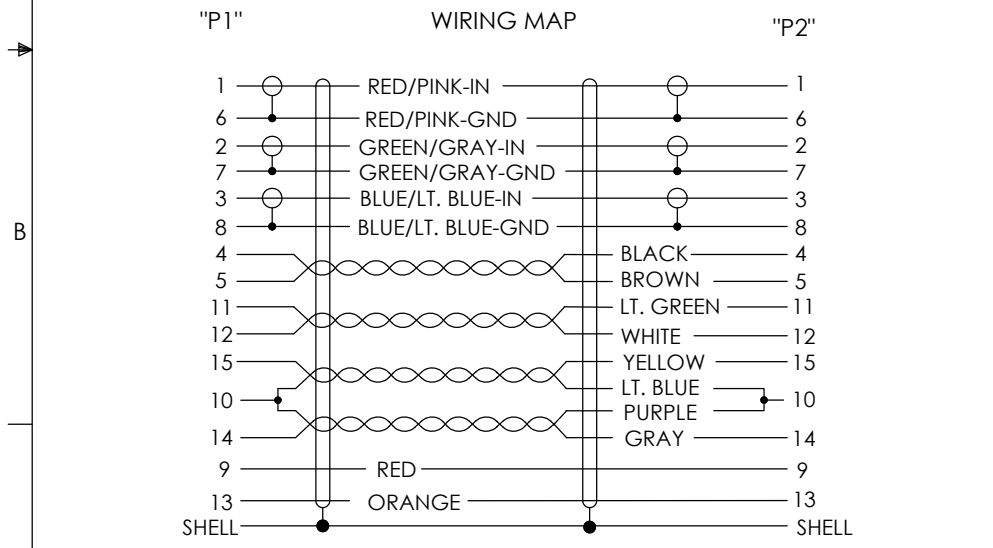
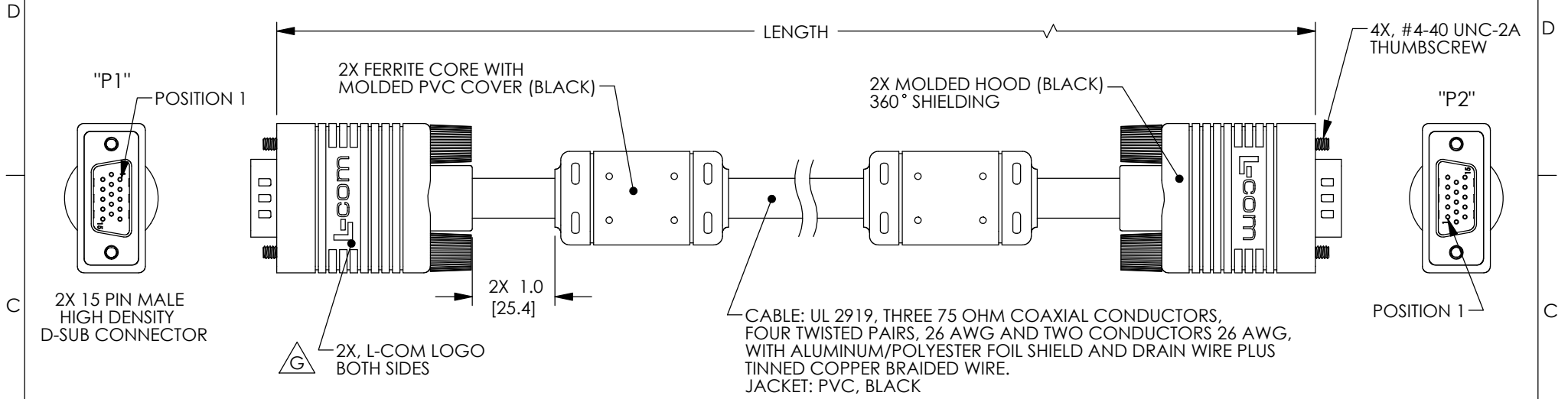


THE INFORMATION CONTAINED IN THIS DRAWING IS THE SOLE PROPERTY OF L-COM, INC. ANY REPRODUCTION IN PART OR WHOLE WITHOUT THE WRITTEN PERMISSION OF L-COM, INC. IS PROHIBITED.

RoHS Compliant ✓

REVISIONS			
REV	DESCRIPTION	DATE	APPROVED
E	ECN 3782: FIXED TWISTED PAIR IN WIRING MAP	1/6/09	D.CASTRO
F	ECN 4503: ADDED 3 FT & 20 FT NEW LENGTH IN TABLE A	1/19/10	D.FRISIELLO
G	ECN 6641: ADDED 1 FT LENGTH, REVISED LOGO, FORMAT	1/24/13	D.FRISIELLO



PART NUMBER	LENGTH	
	FEET	METERS
CTLF3VGAMM-1	1.0	.30
CTLF3VGAMM-3	3.0	.91
CTLF3VGAMM-5	5.0	1.52
CTLF3VGAMM-10	10.0	3.05
CTLF3VGAMM-20	20.0	6.09
CTLF3VGAMM-25	25.0	7.62
CTLF3VGAMM-50	50.0	15.24
CTLF3VGAMM-100	100.0	30.48
CTLF3VGAMM-200	200.0	60.96

NOTES:
 CABLE ASSEMBLY SHALL BE TESTED FOR CONTINUITY.
 CABLE ASSEMBLY SHALL BE INDIVIDUALLY PACKAGED IN ACCORDANCE WITH L-COM SPECIFICATION PS-0031.

UNLESS OTHERWISE SPECIFIED, DIMENSIONS ARE IN INCHES [mm] OVERALL CABLE LENGTH TOLERANCE: ≤ 12 [305] = +1 [25] / -0 >12 [305] ≤ 60 [1524] = +2 [51] / -0 >60 [1524] ≤ 120 [3048] = +4 [102] / -0 >120 [3048] ≤ 300 [7620] = +6 [152] / -0 >300 [7620] = +3% / -0% ALL OTHER DIMENSIONAL TOLERANCES: .X = ± .2 .XX = ± .02 .XXX = ± .005	APPROVALS DRAWN BY: D. PARHAM CHECKED BY: T. CLARK APPROVED BY: R. CARRICK	DATE 4/23/2001 4/23/2001 4/30/2001		45 BEECHWOOD DRIVE NORTH ANDOVER, MA 01845
	PROJECTION 	CONFIGURATION DETAILS OF UNDIMENSIONED FEATURES MAY VARY COLOR VARIATIONS MAY OCCUR	CATEGORY AUDIO/VIDEO	PRODUCT DESCRIPTION CABLE SVGA HD15 M/M WITH FERRITES
SIZE A		FSCM NO. 43321	DWG. NO. CTLF3VGAMM	REV. G
			SHEET 1 OF 1	