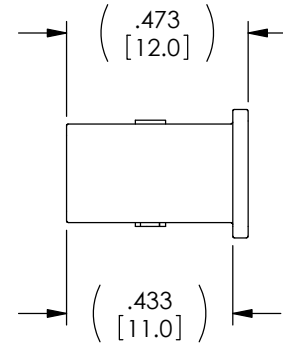
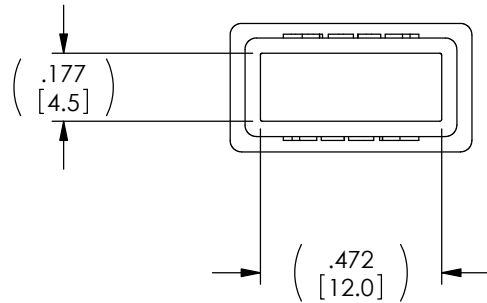
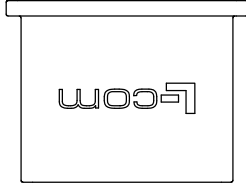


THE INFORMATION CONTAINED IN THIS DRAWING IS THE SOLE PROPERTY OF L-COM, INC. ANY REPRODUCTION IN PART OR WHOLE WITHOUT THE WRITTEN PERMISSION OF L-COM, INC. IS PROHIBITED.

RoHS Compliant ✓

| REVISIONS | | | |
|-----------|-----------------|---------|-----------|
| REV | DESCRIPTION | DATE | APPROVED |
| A | INITIAL RELEASE | 9/21/10 | D.GRIFFIN |
| | | | |
| | | | |



NOTES:

1. MATERIAL: PVC, BLACK
2. COMPONENT SHALL BE PACKAGED 10 PIECES PER BAG IN ACCORDANCE WITH L-COM SPEC. PS-0031

| | | | | | |
|--|--|------------------------------------|--|-----------------------------|------------------|
| UNLESS OTHERWISE SPECIFIED, DIMENSIONS ARE IN INCHES [mm] OVERALL CABLE LENGTH TOLERANCE: ≤12 [305] = +1 [25] / -0 >12 [305] ≤60 [1524] = +2 [51] / -0 >60 [1524] ≤120 [3048] = +4 [102] / -0 >120 [3048] ≤300 [7620] = +6 [152] / -0 >300 [7620] = +3% / -0% ALL OTHER DIMENSIONAL TOLERANCES: .X = ± .2 .XX = ± .02 .XXX = ± .005 | APPROVALS D. CASTRO CHECKED BY D. PARHAM APPROVED BY S. SMITH | DATE 5/3/10 5/6/10 5/6/10 | 45 BEECHWOOD DRIVE NORTH ANDOVER, MA 01845 | | |
| | CONFIGURATION DETAILS OF UNDIMENSIONED FEATURES MAY VARY | | | CATEGORY USB | |
| PROJECTION | COLOR VARIATIONS MAY OCCUR | SIZE A | FSCM NO. 43321 | DWG. NO. CVRUSB-A | REV. A |
| SCALE: NONE | | CAD FILE: CVRUSB-A.SLDDRW | | SHEET 1 OF 1 | |