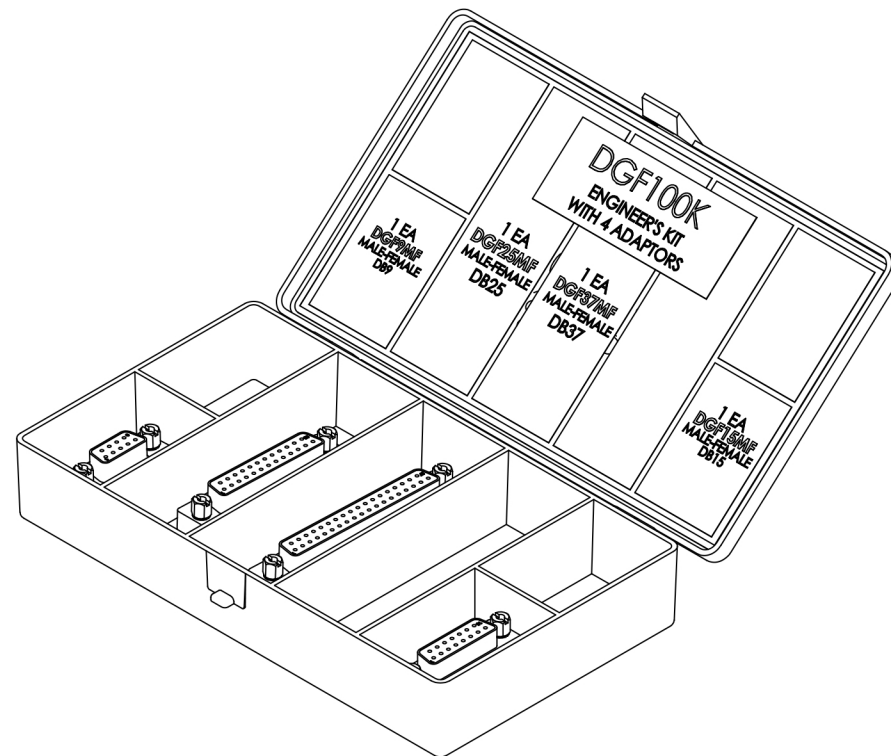
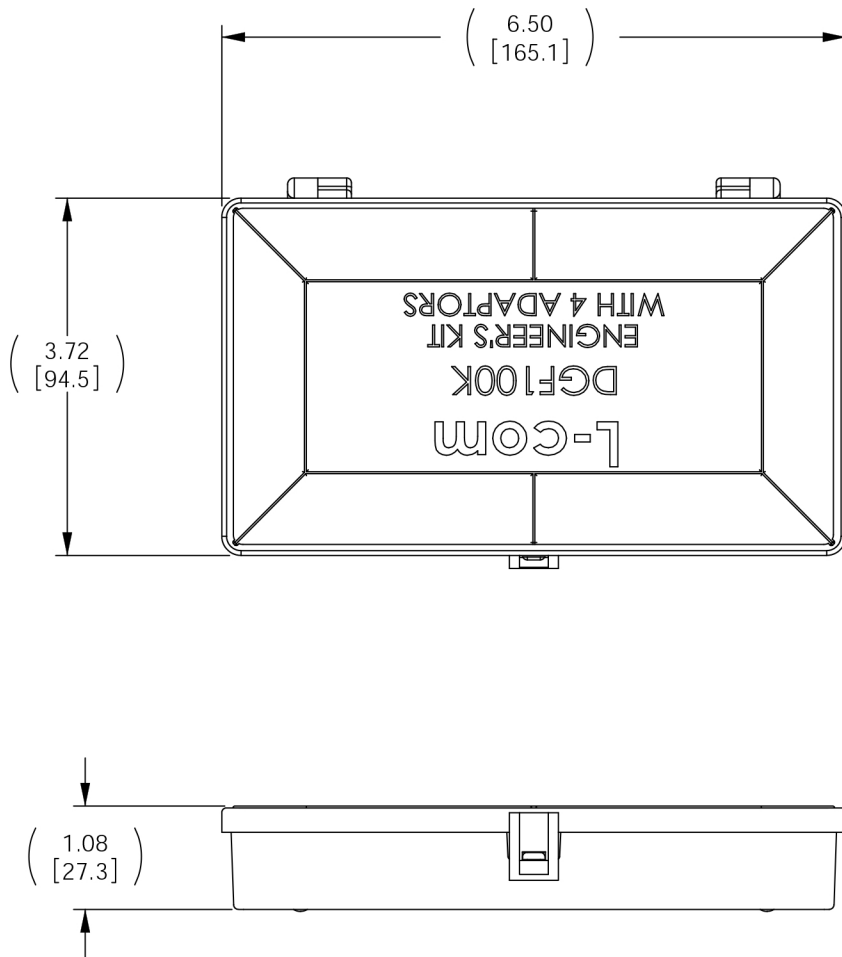


THE INFORMATION CONTAINED IN THIS DRAWING IS THE SOLE PROPERTY OF L-COM, INC. ANY REPRODUCTION IN PART OR WHOLE WITHOUT THE WRITTEN PERMISSION OF L-COM, INC. IS PROHIBITED.

REVISIONS			
REV	DESCRIPTION	DATE	APPROVED
-	APPROVED FOR PRODUCTION	3/19/99	BJD
A	ADDED LABEL (DGF100K-LABEL)	7/13/99	BJD
A	ECN 99999: REDRAWN FOR MAC 99-031730	9/1/09	D.FRISIELLO



NOTES:

THE KIT CONTAINS ONE (1) EACH OF THE FOLLOWING:

- DGF9MF
- DGF15MF
- DGF25MF
- DGF37MF

ALL COMPONENTS MEET ROHS COMPLIANCY.

UNLESS OTHERWISE SPECIFIED, DIMENSIONS ARE IN INCHES [mm] DIMENSIONAL TOLERANCES: .X = ±.1 .XX = ±.01 .XXX = ±.005 ANGULAR TOLERANCES: ALL = ± 1°	APPROVALS DRAWN BY D.FRISIELLO CHECKED BY M.MARTINEZ APPROVED BY S.SMITH	DATE 9/1/09 9/1/09 9/1/09	45 BEECHWOOD DRIVE NORTH ANDOVER, MA 01845		
	CATEGORY D-SUB			PRODUCT DESCRIPTION ADAPTER, KIT FERRITE FILTER 4 PC	
	PROJECTION 	CONFIGURATION DETAILS OF UNDIMENSIONED FEATURES MAY VARY COLOR VARIATIONS MAY OCCUR	SIZE A		FSCM NO. 43321
SCALE: NONE		CAD FILE: DGF100K.SLDDRW		SHEET 1 OF 1	